

By 2028, a world class Army that is a source of national pride.



HEADQUARTERS
PHILIPPINE ARMY
TECHNICAL WORKING GROUP FOR QM ITEMS AT PITC
OFFICE OF THE ARMY CHIEF QUARTERMASTER
Fort Andres Bonifacio, Metro Manila



April 5, 2021

MYRA CHITELLA T ALVAREZ

Acting Vice-President
Military Procurement Group
Philippine International Trading Corporation
NDC Building, 116 Tordesillas Street,
Salcedo Village, 1227 Makati City

Dear **Ms Alvarez**:

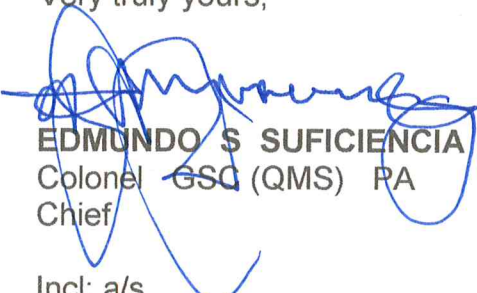
This pertains to the Supply and Delivery of Brand New 13,637 pieces Integrated Armor Vest System for the Philippine Army (PA) per Bid Reference No. MPG-BI-2021-030.

In view of the above, forwarded to your Office are the following:

- Revised Test and Evaluation Procedure (TEP) of Integrated Armor Vest System dated Mar 19, 2021
- Drawings and Illustrations of Integrated Armor Vest System with QM SPEC NR IE-22IAVS with Amend 1 dated 27 October 2020 (Interim)

Thank you very much.

Very truly yours,


EDMUNDO S SUFICIENCIA
Colonel GSC (QMS) PA
Chief

Incl: a/s

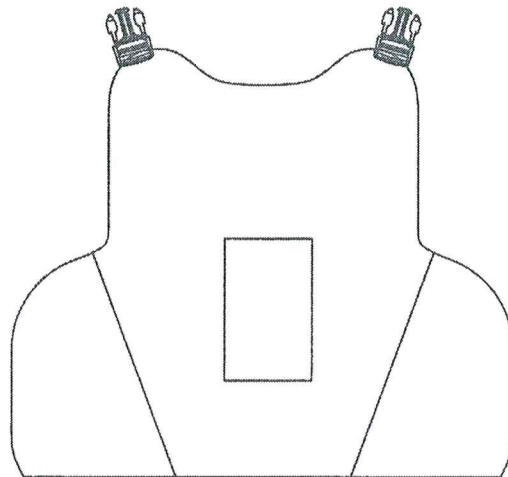
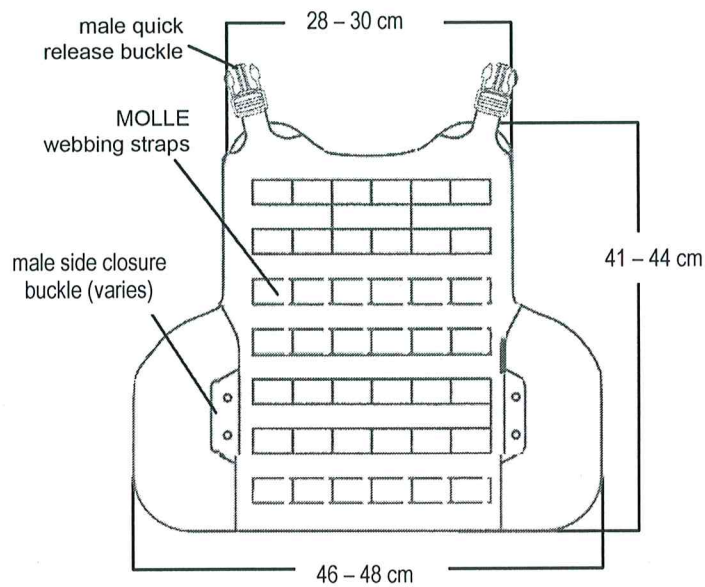
**HEADQUARTERS
PHILIPPINE ARMY
OFFICE OF THE ARMY CHIEF QUARTERMASTER
Fort Andres Bonifacio, Metro Manila**

**INTEGRATED ARMOR VEST SYSTEM
QM SPEC NR IE-22IAVS with Amend 1 dated 27 October 2020 (Interim)**

DRAWINGS / ILLUSTRATIONS

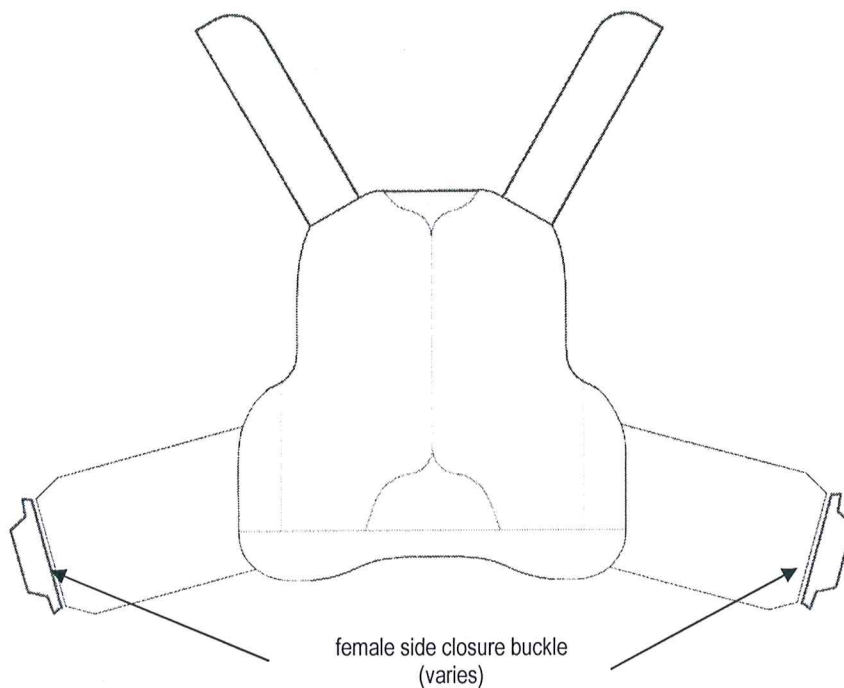
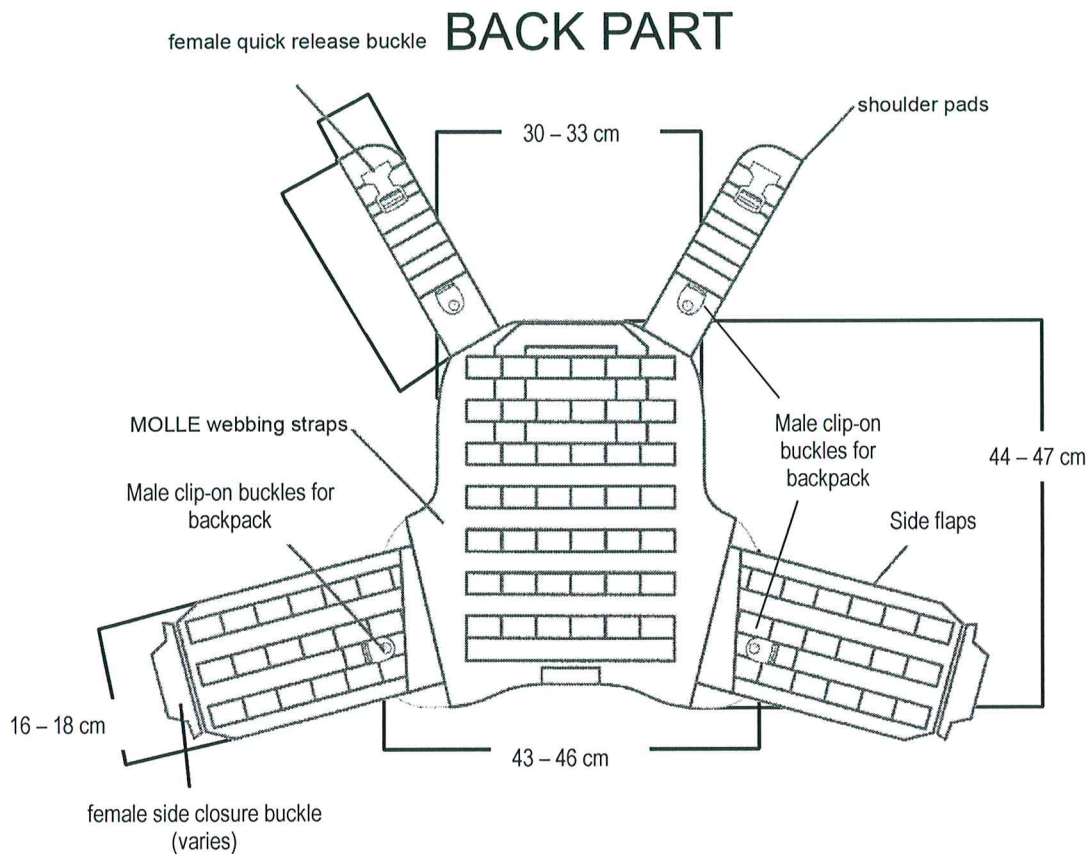
BASIC VEST

FRONT PART



602

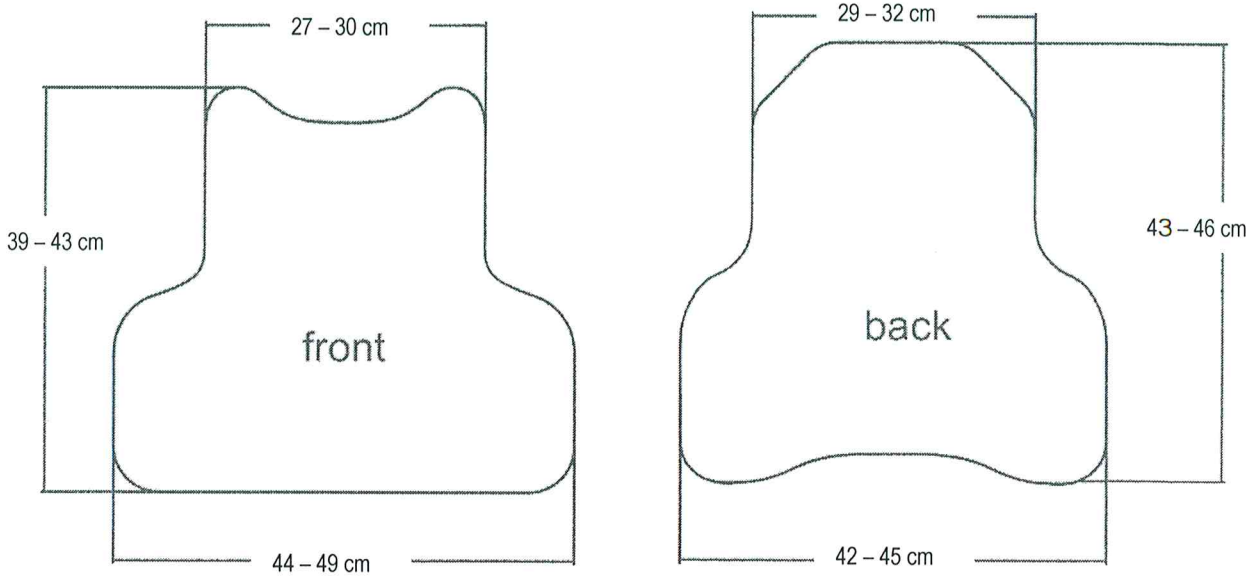
INTEGRATED ARMOR VEST SYSTEM
QM SPEC NR IE-22IAVS with Amend 1 dated 27 October 2020 (Interim)



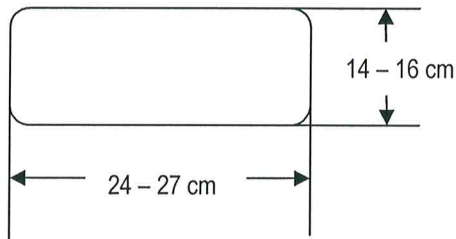
66 10

INTEGRATED ARMOR VEST SYSTEM
QM SPEC NR IE-22IAVS with Amend 1 dated 27 October 2020 (Interim)

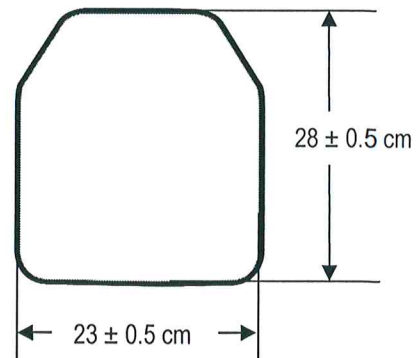
SOFT ARMOR PANELS (SAP)



SIDE ARMOR PANELS



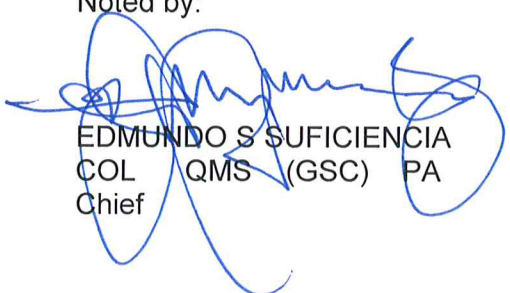
BALLISTIC INSERT



Prepared by:


GEN. C. CONTILLO
MAJ (QMS) PA
Chief, Plans & Research Branch

Noted by:


EDMUNDO S. SUFICIENCIA
COL QMS (GSC) PA
Chief