



**HEADQUARTERS  
PHILIPPINE ARMY  
OFFICE OF THE PHILIPPINE ARMY BIDS AND AWARDS COMMITTEE 2  
Fort Andres Bonifacio, Taguig City**

Procurement of Medium Multi-Purpose Assault Weapon  
(MMAW) with Precision Guided Munition (PGM)

**ORD PABAC2-025-24**

<i>DESCRIPTION</i>	<i>QTY</i>	<i>ABC (PESOS)</i>
<b>Medium Multi-Purpose Assault Weapon (MMAW) with Precision Guided Munition (PGM)</b>	<b>1 Lot</b>	<b>208,333,000.00</b>

**BIDDING DATE: June 11, 2024  
TIME: 9:00 AM**

---

# TABLE OF CONTENTS

<b>GLOSSARY OF ACRONYMS, TERMS, AND ABBREVIATIONS .....</b>	<b>3</b>
<b>SECTION I. INVITATION TO BID.....</b>	<b>6</b>
<b>SECTION II. INSTRUCTIONS TO BIDDERS.....</b>	<b>9</b>
<b>SECTION III. BID DATA SHEET .....</b>	<b>16</b>
<b>SECTION IV. GENERAL CONDITIONS OF CONTRACT .....</b>	<b>19</b>
<b>SECTION V. SPECIAL CONDITIONS OF CONTRACT .....</b>	<b>21</b>
<b>SECTION VI. SCHEDULE OF REQUIREMENTS .....</b>	<b>29</b>
<b>SECTION VII. TECHNICAL SPECIFICATIONS .....</b>	<b>30</b>
<b>SECTION VIII. CHECKLIST OF TECHNICAL AND FINANCIAL DOCUMENTS .....</b>	<b>71</b>

---

## **GLOSSARY OF ACRONYMS, TERMS, AND ABBREVIATIONS**

**ABC** – Approved Budget for the Contract.

**BAC** – Bids and Awards Committee.

**Bid** – A signed offer or proposal to undertake a contract submitted by a bidder in response to and in consonance with the requirements of the bidding documents. Also referred to as *Proposal* and *Tender*. (2016 revised IRR, Section 5[c])

**Bidder** – Refers to a contractor, manufacturer, supplier, distributor and/or consultant who submits a bid in response to the requirements of the Bidding Documents. (2016 revised IRR, Section 5[d])

**Bidding Documents** – The documents issued by the Procuring Entity as the bases for bids, furnishing all information necessary for a prospective bidder to prepare a bid for the Goods, Infrastructure Projects, and/or Consulting Services required by the Procuring Entity. (2016 revised IRR, Section 5[e])

**BIR** – Bureau of Internal Revenue.

**BSP** – Bangko Sentral ng Pilipinas.

**Consulting Services** – Refer to services for Infrastructure Projects and other types of projects or activities of the GOP requiring adequate external technical and professional expertise that are beyond the capability and/or capacity of the GOP to undertake such as, but not limited to: (i) advisory and review services; (ii) pre-investment or feasibility studies; (iii) design; (iv) construction supervision; (v) management and related services; and (vi) other technical services or special studies. (2016 revised IRR, Section 5[i])

**CDA** - Cooperative Development Authority.

**Contract** – Refers to the agreement entered into between the Procuring Entity and the Supplier or Manufacturer or Distributor or Service Provider for procurement of Goods and Services; Contractor for Procurement of Infrastructure Projects; or Consultant or Consulting Firm for Procurement of Consulting Services; as the case may be, as recorded in the Contract Form signed by the parties, including all attachments and appendices thereto and all documents incorporated by reference therein.

**CIF** – Cost Insurance and Freight.

**CIP** – Carriage and Insurance Paid.

**CPI** – Consumer Price Index.

**DDP** – Refers to the quoted price of the Goods, which means “delivered duty paid.”

**DTI** – Department of Trade and Industry.

**EXW** – Ex works.

**FCA** – “Free Carrier” shipping point.

**FOB** – “Free on Board” shipping point.

**Foreign-funded Procurement or Foreign-Assisted Project**– Refers to procurement whose funding source is from a foreign government, foreign or international financing institution as specified in the Treaty or International or Executive Agreement. (2016 revised IRR, Section 5[b]).

**Framework Agreement** – Refers to a written agreement between a procuring entity and a supplier or service provider that identifies the terms and conditions, under which specific purchases, otherwise known as “Call-Offs,” are made for the duration of the agreement. It is in the nature of an option contract between the procuring entity and the bidder(s) granting the procuring entity the option to either place an order for any of the goods or services identified in the Framework Agreement List or not buy at all, within a minimum period of one (1) year to a maximum period of three (3) years. (GPPB Resolution No. 27-2019)

**GFI** – Government Financial Institution.

**GOCC** – Government-owned and/or –controlled corporation.

**Goods** – Refer to all items, supplies, materials and general support services, except Consulting Services and Infrastructure Projects, which may be needed in the transaction of public businesses or in the pursuit of any government undertaking, project or activity, whether in the nature of equipment, furniture, stationery, materials for construction, or personal property of any kind, including non-personal or contractual services such as the repair and maintenance of equipment and furniture, as well as trucking, hauling, janitorial, security, and related or analogous services, as well as procurement of materials and supplies provided by the Procuring Entity for such services. The term “related” or “analogous services” shall include, but is not limited to, lease or purchase of office space, media advertisements, health maintenance services, and other services essential to the operation of the Procuring Entity. (2016 revised IRR, Section 5[r])

**GOP** – Government of the Philippines.

**GPPB** – Government Procurement Policy Board.

**INCOTERMS** – International Commercial Terms.

**Infrastructure Projects** – Include the construction, improvement, rehabilitation, demolition, repair, restoration or maintenance of roads and bridges, railways, airports, seaports, communication facilities, civil works components of information technology projects, irrigation, flood control and drainage, water supply, sanitation, sewerage and

solid waste management systems, shore protection, energy/power and electrification facilities, national buildings, school buildings, hospital buildings, and other related construction projects of the government. Also referred to as *civil works or works*. (2016 revised IRR, Section 5[u])

**LGUs** – Local Government Units.

**NFCC** – Net Financial Contracting Capacity.

**NGA** – National Government Agency.

**PhilGEPS** - Philippine Government Electronic Procurement System.

**Procurement Project** – refers to a specific or identified procurement covering goods, infrastructure project or consulting services. A Procurement Project shall be described, detailed, and scheduled in the Project Procurement Management Plan prepared by the agency which shall be consolidated in the procuring entity's Annual Procurement Plan. (GPPB Circular No. 06-2019 dated 17 July 2019)

**PSA** – Philippine Statistics Authority.

**SEC** – Securities and Exchange Commission.

**SLCC** – Single Largest Completed Contract.

**Supplier** – refers to a citizen, or any corporate body or commercial company duly organized and registered under the laws where it is established, habitually established in business and engaged in the manufacture or sale of the merchandise or performance of the general services covered by his bid. (Item 3.8 of GPPB Resolution No. 13-2019, dated 23 May 2019). Supplier as used in these Bidding Documents may likewise refer to a distributor, manufacturer, contractor, or consultant.

**UN** – United Nations.

# SECTION I. INVITATION TO BID

## Procurement of Medium Multi-Purpose Assault Weapon (MMAW) with Precision Guided Munition (PGM)

### BID REF ORD PABAC2-025-24

1. The Philippine Army, through the **Advice of Sub-Allotment (ASA) with ASA Nr: 2200-2024-0013 from GAA FY 2024 (RA11975)** dated 08 January 2024 amounting to **TWO HUNDRED EIGHT MILLION THREE HUNDRED THIRTY-THREE THOUSAND PESOS (Php208,333,000.00)** duly signed by COL CHRISTOPHER M DIAZ GSC (INF) PA, AC of S for FM, G10, PA intends to apply the following sum being the Approved Budget for the Contract (ABC) to payment under the contract for the item. Bids received in excess of the ABC shall be automatically rejected at bid opening.

<i>Description</i>	<i>Qty</i>	<i>ABC (Pesos)</i>
<b>Medium Multi-Purpose Assault Weapon (MMAW) with Precision Guided Munition (PGM)</b>	1 Lot	208,333,000.00

2. The Philippine Army now invite Bids for the above procurement of **items** (herein referred to as GOODS).

Required delivery period and delivery place shall be as follows:

<b>Delivery Period</b>	<b>Delivery Place</b>
<b>Within Four Hundred Fifty (450) calendar days after Receipt of Notice to Proceed.</b>	Ammunition Company, Armament and Ammunition Battalion, 1 <sup>st</sup> Logistics Support Group, Army Support Command, Philippine Army, Camp Servillano Aquino, Tarlac City

Bidders should have completed within **five (5) years** from the date of Submission and Receipt of Bids a Contract similar to the project.

The description of an eligible bidder is contained in the Bidding Documents, particularly, in Section II (Instructions to Bidders).

3. Bidding will be conducted through open competitive bidding procedures using a non-discretionary “pass/fail” criterion as specified in the 2016 revised Implementing Rules and Regulations (IRR) of Republic Act (RA) No. 9184 otherwise known as the “Government Procurement Reform Act”.

Bidding is open to all interested bidders, whether local or foreign, subject to the conditions for eligibility provided in the 2016 revised IRR of RA No. 9184.

4. Prospective Bidders may obtain further information from PABAC2 Secretariat and inspect the Bidding Documents at the address given below during office hours from 8:00 am to 4:00 pm, except on holidays.

5. The complete set of Bidding Documents may be acquired/purchased by interested Bidders on **May 20, 2024** during office hours (8:00 am - 4:00 pm) from the given address and websites below in the amount of **Php50,000.00**. The Procuring Entity shall allow the bidder to present its proof of payment for the fees presented in person, by facsimile, or through electronic means.

6. The Philippine Army through PABAC2 will hold a Pre-Bid Conference on the time and date as specified below at the Office of the PABAC2, Fort Andres Bonifacio, Taguig City and/or through video conferencing or webcasting, which shall be open to prospective bidders.

7. Bids must be duly received by the PABAC2 Secretariat through manual submission at the office address indicated below on or before the date of submission of bids as specified below. Late bids shall not be accepted.

8. All Bids must be accompanied by a bid security in any of the acceptable forms and in the amount stated in ITB Clause 14.

9. Bid opening shall be on the date as specified below and at the given address below through in person (face to face) and/or through video conferencing or webcasting. Bids will be opened in the presence of the bidders' representatives who choose to attend the activity.

The schedule of the bidding activities shall be as follows:

<b>ACTIVITIES</b>	<b>DATE &amp; TIME</b>	<b>VENUE</b>
1. Sale and Issuance of Bidding Documents	8:00 am to 4:00 pm only Mondays - Fridays starting <b>May 20, 2024 at 9:00AM</b>	Office of the PABAC2, Fort Andres Bonifacio, Taguig City
2. Pre-Bid Conference	<b>May 28, 2024 at 9:00AM</b>	<b>BGEN BENJAMIN L HAO PA</b> <b>PABAC2 Chairperson</b> <i>Contact Nr. 09393185696 or at its email address at pabacsec2@gmail.com</i>
3. Submission, Opening, and Bids Evaluation	<b>June 11, 2024 at 9:00AM</b>	

10. The Philippine Army reserves the right to reject any and all bids, declare a failure of bidding, or not award the contract at any time prior to contract award in accordance with Sections 35.6 and 41 of the 2016 revised IRR of RA No. 9184, without thereby incurring any liability to the affected bidder or bidders.

11. For further information, please refer to:

**Office of the PA Bids and Awards Committee 2**  
Fort Andres Bonifacio, Taguig City

**BGEN BENJAMIN L HAO PA**

**PABAC2 Chairperson**

Contact Nr. 09393185696 or at its email address: [pabacsec2@gmail.com](mailto:pabacsec2@gmail.com)

12. You may visit the following websites:

For downloading of Bidding Documents: **([philgeps.gov.ph](http://philgeps.gov.ph) and [army.mil.ph](http://army.mil.ph))**

*Date of Issue:* \_\_\_\_\_



**BENJAMIN L HAO**  
BGen PA  
Chairperson

## SECTION II. INSTRUCTION TO BIDDERS



## 1. Scope of Bid

The Procuring Entity, **Philippine Army** wishes to receive Bids for the **Medium Multi-Purpose Assault Weapon (MMAW) with Precision Guided Munition (PGM)** under **ORD PABAC2-025-24**.

The Procurement Project (referred to herein as “Project”) is composed of **1 Lot**, the details of which are described in Section VII (Technical Specifications).

## 2. Funding Information

2.1. The GOP through the source of funding as indicated below for **2024** in the amount of **TWO HUNDRED EIGHT MILLION THREE HUNDRED THIRTY-THREE THOUSAND PESOS (208,333,000.00)**

2.2. The source of funding is **General Appropriations Act, Fiscal Year 2024 (GAA FY 2024) – RA 11975**.

## 3. Bidding Requirements

The Bidding for the Project shall be governed by all the provisions of RA No. 9184 and its 2016 revised IRR, including its Generic Procurement Manuals and associated policies, rules and regulations as the primary source thereof, while the herein clauses shall serve as the secondary source thereof.

Any amendments made to the IRR and other GPPB issuances shall be applicable only to the ongoing posting, advertisement, or **IB** by the BAC through the issuance of a supplemental or bid bulletin.

The Bidder, by the act of submitting its Bid, shall be deemed to have verified and accepted the general requirements of this Project, including other factors that may affect the cost, duration and execution or implementation of the contract, project, or work and examine all instructions, forms, terms, and project requirements in the Bidding Documents.

## 4. Corrupt, Fraudulent, Collusive, and Coercive Practices

The Procuring Entity, as well as the Bidders and Suppliers, shall observe the highest standard of ethics during the procurement and execution of the contract. They or through an agent shall not engage in corrupt, fraudulent, collusive, coercive, and obstructive practices defined under Annex “I” of the 2016 revised IRR of RA No. 9184 or other integrity violations in competing for the Project.

## 5. Eligible Bidders

5.1. Only Bids of Bidders found to be legally, technically, and financially capable will be evaluated.

5.2. Foreign ownership exceeding those allowed under the rules may participate pursuant to:

- i. When a Treaty or International or Executive Agreement as provided in Section 4 of the RA No. 9184 and its 2016 revised IRR allow foreign bidders to participate;
  - ii. Citizens, corporations, or associations of a country, included in the list issued by the GPPB, the laws or regulations of which grant reciprocal rights or privileges to citizens, corporations, or associations of the Philippines;
  - iii. When the Goods sought to be procured are not available from local suppliers; or
  - iv. When there is a need to prevent situations that defeat competition or restrain trade.
- 5.3. Pursuant to Section 23.4.1.3 of the 2016 revised IRR of RA No.9184, the Bidder shall have an SLCC that is at least one (1) contract similar to the Project the value of which, adjusted to current prices using the PSA's CPI, must be at least equivalent to:

For the procurement of Expendable Supplies: The Bidder must have completed a single contract that is similar to this Project, equivalent to **at least twenty-five percent (25%)** of the ABC.

- 5.4. The Bidders shall comply with the eligibility criteria under Section 23.4.1 of the 2016 IRR of RA No. 9184.

## 6. Origin of Goods

There is no restriction on the origin of goods other than those prohibited by a decision of the UN Security Council taken under Chapter VII of the Charter of the UN, subject to Domestic Preference requirements under **ITB** Clause 18.

## 7. Subcontracts

- 7.1. The Bidder may subcontract portions of the Project to the extent allowed by the Procuring Entity as stated herein, but in no case more than twenty percent (20%) of the Project.

However, the Procuring Entity has prescribed that **Subcontracting is not allowed.**

## 8. Pre-Bid Conference

The Procuring Entity will hold a pre-bid conference for this Project on the specified date and time and either at its physical address indicated herein and/or through videoconferencing/webcasting as indicated in paragraph 6 of the **IB**.

## 9. Clarification and Amendment of Bidding Documents

Prospective bidders may request for clarification on and/or interpretation of any part of the Bidding Documents. Such requests must be in writing and received by the Procuring Entity, either at its given address or through electronic mail indicated in the **IB**, at least ten (10) calendar days before the deadline set for the submission and receipt of Bids.

## 10. Documents comprising the Bid: Eligibility and Technical Components

- 10.1. The first envelope shall contain the eligibility and technical documents of the Bid as specified in **Section VIII (Checklist of Technical and Financial Documents)**.
- 10.2. The Bidder's SLCC as indicated in **ITB** Clause 5.3 should have been completed within the last five (5) years prior to the deadline for the submission and receipt of bids.
- 10.3. If the eligibility requirements or statements, the bids, and all other documents for submission to the BAC are in foreign language other than English, it must be accompanied by a translation in English, which shall be authenticated by the appropriate Philippine foreign service establishment, post, or the equivalent office having jurisdiction over the foreign bidder's affairs in the Philippines. Similar to the required authentication above, for Contracting Parties to the Apostille Convention, only the translated documents shall be authenticated through an apostille pursuant to GPPB Resolution No. 13-2019 dated 23 May 2019. The English translation shall govern, for purposes of interpretation of the bid.

## 11. Documents comprising the Bid: Financial Component

- 11.1. The second bid envelope shall contain the financial documents for the Bid as specified in **Section VIII (Checklist of Technical and Financial Documents)**.
- 11.2. If the Bidder claims preference as a Domestic Bidder or Domestic Entity, a certification issued by DTI shall be provided by the Bidder in accordance with Section 43.1.3 of the 2016 revised IRR of RA No. 9184.
- 11.3. Any bid exceeding the ABC indicated in paragraph 1 of the **IB** shall not be accepted.
- 11.4. For Foreign-funded Procurement, a ceiling may be applied to bid prices provided the conditions are met under Section 31.2 of the 2016 revised IRR of RA No. 9184.

## 12. Bid Prices

- 12.1. Prices indicated on the Price Schedule shall be entered separately in the following manner:
  - a. For Goods offered from within the Procuring Entity's country:

- i. The price of the Goods quoted EXW (ex-works, ex-factory, ex-warehouse, ex-showroom, or off-the-shelf, as applicable);
  - ii. The cost of all customs duties and sales and other taxes already paid or payable;
  - iii. The cost of transportation, insurance, and other costs incidental to delivery of the Goods to their final destination; and
  - iv. The price of other (incidental) services, if any, listed in e.
- b. For Goods offered from abroad:
  - i. Unless otherwise stated in the **BDS**, the price of the Goods shall be quoted delivered duty paid (DDP) with the place of destination in the Philippines as specified in the **BDS**. In quoting the price, the Bidder shall be free to use transportation through carriers registered in any eligible country. Similarly, the Bidder may obtain insurance services from any eligible source country.
  - ii. The price of other (incidental) services, if any, as listed in **Section VII (Technical Specifications)**.

### 13. Bid and Payment Currencies

13.1. For Goods that the Bidder will supply from outside the Philippines, the bid prices may be quoted in the local currency or tradeable currency accepted by the BSP at the discretion of the Bidder. However, for purposes of bid evaluation, Bids denominated in foreign currencies, shall be converted to Philippine currency based on the exchange rate as published in the BSP reference rate bulletin on the day of the bid opening.

13.2. Payment of the contract price shall be made in **Philippine Pesos**.

### 14. Bid Security

14.1. The Bidder shall submit a Bid Securing Declaration or any form of Bid Security in the amount indicated in the **BDS**, which shall be not less than the percentage of the ABC in accordance with the schedule in the **BDS**.

14.2. The Bid and bid security shall be valid until **one hundred twenty (120) calendar days from the date of opening of bids**. Any Bid not accompanied by an acceptable bid security shall be rejected by the Procuring Entity as non-responsive.

### 15. Sealing and Marking of Bids

Each Bidder shall submit one copy of the first and second components of its Bid.

The Procuring Entity may request additional hard copies and/or electronic copies of the Bid. However, failure of the Bidders to comply with the said request shall not be a ground for disqualification.

If the Procuring Entity allows the submission of bids through online submission or any other electronic means, the Bidder shall submit an electronic copy of its Bid, which must be digitally signed. An electronic copy that cannot be opened or is corrupted shall be considered non-responsive and, thus, automatically disqualified.

## **16. Deadline for Submission of Bids**

16.1. The Bidders shall submit on the specified date and time and either at its physical address or through online submission as indicated in paragraph 7 of the **IB**.

## **17. Opening and Preliminary Examination of Bids**

17.1. The BAC shall open the Bids in public at the time, on the date, and at the place specified in paragraph 9 of the **IB**. The Bidders' representatives who are present shall sign a register evidencing their attendance. In case videoconferencing, webcasting or other similar technologies will be used, attendance of participants shall likewise be recorded by the BAC Secretariat.

In case the Bids cannot be opened as scheduled due to justifiable reasons, the rescheduling requirements under Section 29 of the 2016 revised IRR of RA No. 9184 shall prevail.

17.2. The preliminary examination of bids shall be governed by Section 30 of the 2016 revised IRR of RA No. 9184.

## **18. Domestic Preference**

18.1. The Procuring Entity will grant a margin of preference for the purpose of comparison of Bids in accordance with Section 43.1.2 of the 2016 revised IRR of RA No. 9184.

## **19. Detailed Evaluation and Comparison of Bids**

19.1. The Procuring BAC shall immediately conduct a detailed evaluation of all Bids rated "*passed*," using non-discretionary pass/fail criteria. The BAC shall consider the conditions in the evaluation of Bids under Section 32.2 of the 2016 revised IRR of RA No. 9184.

19.2. If the Project allows partial bids, bidders may submit a proposal on any of the lots or items, and evaluation will be undertaken on a per lot or item

basis, as the case maybe. In this case, the Bid Security as required by **ITB** Clause 15 shall be submitted for each lot or item separately.

- 19.3. The descriptions of the lots or items shall be indicated in **Section VII (Technical Specifications)**, although the ABCs of these lots or items are indicated in the **BDS** for purposes of the NFCC computation pursuant to Section 23.4.2.6 of the 2016 revised IRR of RA No. 9184. The NFCC must be sufficient for the total of the ABCs for all the lots or items participated in by the prospective Bidder.
- 19.4. The Project shall be awarded as follows: **one project having several items that shall be awarded as one contract.**
- 19.5. Except for bidders submitting a committed Line of Credit from a Universal or Commercial Bank in lieu of its NFCC computation, all Bids must include the NFCC computation pursuant to Section 23.4.1.4 of the 2016 revised IRR of RA No. 9184, which must be sufficient for the total of the ABCs for all the lots or items participated in by the prospective Bidder. For bidders submitting the committed Line of Credit, it must be at least equal to ten percent (10%) of the ABCs for all the lots or items participated in by the prospective Bidder.

## 20. Post-Qualification

- 20.1. Within a non-extendible period of five (5) calendar days from receipt by the Bidder of the notice from the BAC that it submitted the Lowest Calculated Bid, the Bidder shall submit its latest income and business tax returns filed and paid through the BIR Electronic Filing and Payment System (eFPS) and other appropriate licenses and permits required by law and stated in the **BDS**.

## 21. Signing of the Contract

- 21.1. The documents required in Section 37.2 of the 2016 revised IRR of RA No. 9184 shall form part of the Contract. Additional Contract documents are indicated in the **BDS**.

## Section III. Bid Data Sheet

ITB Clause	
3	Non-compliance and/or non-conformance with the prescribed forms as provided in the Annexes of this Bidding Documents will be a ground for disqualification.
5.2	Foreign Bidders must be represented by a <b>duly registered Philippine-based company</b> .
5.3	<b>For this purpose, contracts similar to the Project</b> shall mean “ <b>Supply and Delivery of Guided Munition</b> ” which must be completed within five (5) years prior to the deadline of the submission and receipt of bids.
7.1	No portion of the project or contract shall be subcontracted.
11.3	There is a tie in bid offers when the bidders offered the same financial bid price and all have the post qualification and are considered as Lowest Calculated and Responsive bids (LCRB).  To break the tie, a tie between two (2) bidders shall be decided through a Toss Coin; while a tie among three (3) or more bidders shall be decided through Draw Lots.
12	The price of the Goods shall be quoted Delivered-At-Place (DAP) to be delivered at: Ammunition Company, Armament and Ammunition Battalion, 1 <sup>st</sup> Logistics Support Group, Army Support Command, Philippine Army, Camp Servillano Aquino, Tarlac City.
13.1	Bid Price shall be quoted in <b>Philippine Pesos</b> .
14.1	The bid security shall be in the form of a Bid Securing Declaration, or any of the following forms and amounts:  a. The amount of not less than <b>Four Million One Hundred Sixty-Six Thousand Six Hundred Sixty Pesos (PhP4,166,660.00)</b> which is equivalent to two percent (2%) of ABC, if bid security is in cash, cashier's/manager's check, bank draft/guarantee or irrevocable letter of credit; <b>or</b>  b. The amount of not less than <b>Ten Million Four Hundred Sixteen Thousand Six Hundred Fifty Pesos (PhP10,416,650.00)</b> which is equivalent to five percent (5%) of ABC, if bid security is in Surety Bond.
15	Each Bidder shall submit <b>One (1) original copy</b> and <b>two (2) other copies</b> of the first and second components of its bid. Each component of the bid must be sealed in two (2) separate envelopes duly labeled. Likewise, the two (2) separate envelopes shall be sealed in one (1) big envelope or carton box duly labeled.

<b>19.3</b>	The Project shall be awarded as <b>one lot</b> .		
	<i>DESCRIPTION</i>	<i>QTY (units)</i>	<i>ABC (PESOS)</i>
	Medium Multi-Purpose Assault Weapon (MMAW) with Precision Guided Munition (PGM)	1 Lot	208,333,000.00
<b>20.2</b>	Within five (5) calendar days from receipt by the bidder of the notice from the BAC that the bidder has the Lowest Calculated Bid, the bidder shall submit to the BAC the following additional documents:		
	<b>TAB</b>		
	<b>A</b>	<b>Registration Certificate</b> from the Securities and Exchange Commission (SEC), Department of Trade and Industry (DTI) for sole proprietorship, or CDA for cooperatives	
	<b>B</b>	<b>Mayor's/Business permit</b> issued by the local government where the principal place of business of the bidder is located	
	<b>C</b>	<b>Tax Clearance per E.O. No. 398, s. 2005</b> , as finally reviewed and approved by the Bureau of Internal Revenue (BIR)	
	<b>D</b>	Latest <b>Audited Financial Statements</b> showing, among others, the prospective bidder's total and current assets and liabilities stamped "received" if manually filed or "attachment of system generated Transaction Reference Number and email to the system user" if electronically filed issued by the Bureau of Internal Revenue or its duly accredited and authorized institutions, for the preceding calendar year which should not be earlier than two years from the date of bid submission; Provided that original copies of the digitally submitted documents will be presented upon request	
	<b>E</b>	<b>Latest income and business tax returns</b> within the last six (6) months preceding the date of bid submission, manually filed Tax Returns or filed and paid through the BIR Electronic Filing and Payment System (eFPS)	
	<b>F</b>	<b>Supporting documents for all on-going government and private contracts:</b> a. Notice of Award; or b. Notice to Proceed; or c. Contract; or d. Purchase Order or its equivalent issued by the end-user; and e. Notice of Extension/Suspension if the project is overdue.	
<b>G</b>	<b>Supporting documents for Single Largest Completed Contract (SLCC):</b> a. Notice or Award or Notice to Proceed or Contract or Purchase Order or its equivalent issued by the supplier; and b. End-User's Acceptance, Official Receipt (duplicate or triplicate copy) or Sales Invoice with Collection Receipt (duplicate or triplicate copy); and c. Certificate of Performance Evaluation		



H	<p><b>Certificate of Notarial Commission or Appointment</b> of the Lawyer who notarized the submitted documents</p>
I	<p><b>Required Firearms and Ammunition License/s; and</b></p> <p><b>For Local Bidder:</b> Valid and current <b>License to Manufacture</b> the items to be bid issued by the National Headquarters of Philippine National Police (PNP) Camp Crame, Quezon City or <b>Valid and Current Indent License</b> to deal the goods to be bid for sale to the AFP issued by the National Headquarters of Philippine National Police (PNP), Camp Crame, Quezon City.</p> <p><b>For Foreign Bidder:</b> Philippine Representative Company’s Valid and Current Indent License to deal the goods to be bid for sale to the AFP issued by the National Headquarters of Philippine National Police (PNP), Camp Crame, Quezon City.</p> <p>Note: Required license(s) presented during opening of bids shall be used for the importation of the item being bid.</p>
J	<p><b>Current and valid ISO (9001:2015) or AQAP Certificate</b> issued by an independent certifying agency in the name of the Manufacturer of the item. The validity or scope of the ISO or other certificate must cover the production, design, manufacturing, and inspection of the items subject of the bidding; <b>and</b></p>
K	<p>Colored Bidder’s Brochure or Literature of the item to be bid, with its specifications.</p>
L	<p><b>Company Profile</b> (Organization to include names of Key Officials, Affiliated Companies, Production Capability)</p>
M	<p><b>Vicinity map/location</b> of the business</p>
N	<p><b>Bidder’s Technical Specifications</b> of the item to be bid to include its Tests and Inspections Parameters, Types and Classification of Defects, Acceptance and Rejection Criteria, and Sampling Plan/Allocation of Representative Samples</p>
O	<p><b>Bidder’s Certification of Conformance from its Technical Department or Production Department or Quality Assurance Department or its equivalent</b>, that the goods will be manufactured in accordance with the Philippine Army (PA) TS, TAP (with Sampling Plan &amp; AQL), Packaging, and Markings.</p>
P	<p><b>Certificate</b> issued by HAFPPS stating that the Bidder is not <b>Blacklisted</b> and <b>no overdue delivery</b></p>
Q	<p><b>Certificate of Employment</b> of company official/s designated in License to Manufacture or Indent License (License to Operate)</p>
<p><b>NOTES:</b></p> <ul style="list-style-type: none"> <li>In case of foreign bidders, for <b>Tabs A, B, and D to H</b>, the foreign bidder may submit the corresponding equivalent documents of the same issued by the foreign bidder’s country or place of business.</li> </ul>	

- |  |  |
|--|--|
|  | <ul style="list-style-type: none"><li>• The above documents must be in English. If the documents are in a foreign language, it must be accompanied by a translation of the documents in English, and shall be authenticated by an apostille or red ribbon for countries identified by the DFA that will still require legalization by the relevant Embassy or Consulate.</li><li>• In case of conflict between the English translation and the foreign translation, the English translation shall prevail.</li><li>• In case of Joint Venture, each partner must present/submit the above documents. The partner who is responsible to submit the NFCC shall submit the Statement of all its on-going contracts and its supporting documents.</li><li>• Failure to submit any of the post qualification requirements or finding against the veracity thereof, shall disqualify the bidder for award. Should there be a finding against the veracity of any of the documents submitted, the Bid Security shall be forfeited in accordance with Section 69 of the 2016 Revised IRR of RA 9184.</li></ul> |
|--|--|

## Section IV. General Conditions of Contract

### 1. Scope of Contract

This Contract shall include all such items, although not specifically mentioned, that can be reasonably inferred as being required for its completion as if such items were expressly mentioned herein. All the provisions of RA No. 9184 and its 2016 revised IRR, including the Generic Procurement Manual, and associated issuances, constitute the primary source for the terms and conditions of the Contract, and thus, applicable in contract implementation. Herein clauses shall serve as the secondary source for the terms and conditions of the Contract.

This is without prejudice to Sections 74.1 and 74.2 of the 2016 revised IRR of RA No. 9184 allowing the GPPB to amend the IRR, which shall be applied to all procurement activities, the advertisement, posting, or invitations of which were issued after the effectivity of the said amendment.

Additional requirements for the completion of this Contract shall be provided in the **Special Conditions of Contract (SCC)**.

### 2. Advance Payment and Terms of Payment

- 2.1. Advance payment of the contract amount is provided under Annex "D" of the revised 2016 IRR of RA No. 9184.
- 2.2. The Procuring Entity is allowed to determine the terms of payment on the partial or staggered delivery of the Goods procured, provided such partial payment shall correspond to the value of the goods delivered and accepted in accordance with prevailing accounting and auditing rules and regulations. The terms of payment are indicated in the **SCC**.

### 3. Performance Security

Within ten (10) calendar days from receipt of the Notice of Award by the Bidder from the Procuring Entity but in no case later than prior to the signing of the Contract by both parties, the successful Bidder shall furnish the performance security in any of the forms prescribed in Section 39 of the 2016 revised IRR of RA No. 9184.

### 4. Inspection and Tests

The Procuring Entity or its representative shall have the right to inspect and/or to test the Goods to confirm their conformity to the Project specifications at no extra cost to the Procuring Entity in accordance with the Generic Procurement Manual. In addition to tests in the **SCC, Section IV (Technical Specifications)** shall specify what inspections and/or tests the Procuring Entity requires, and

where they are to be conducted. The Procuring Entity shall notify the Supplier in writing, in a timely manner, of the identity of any representatives retained for these purposes.

All reasonable facilities and assistance for the inspection and testing of Goods, including access to drawings and production data, shall be provided by the Supplier to the authorized inspectors at no charge to the Procuring Entity.

## **5. Warranty**

- 5.1 In order to assure that manufacturing defects shall be corrected by the Supplier, a warranty shall be required from the Supplier as provided under Section 62.1 of the 2016 revised IRR of RA No. 9184.
- 5.2 The Procuring Entity shall promptly notify the Supplier in writing of any claims arising under this warranty. Upon receipt of such notice, the Supplier shall, repair or replace the defective Goods or parts thereof without cost to the Procuring Entity, pursuant to the Generic Procurement Manual.

## **6. Liability of the Supplier**

The Supplier's liability under this Contract shall be as provided by the laws of the Republic of the Philippines.

If the Supplier is a joint venture, all partners to the joint venture shall be jointly and severally liable to the Procuring Entity.

**SECTION V. SPECIAL CONDITIONS OF CONTRACT**

<b>SPECIAL CONDITIONS OF CONTRACT</b>	
<b>GCC Clause</b>	
1	<p><b>Delivery and Documents –</b></p> <p>For purposes of the Contract, “EXW,” “FOB,” “FCA,” “CIF,” “CIP,” “DDP” and other trade terms used to describe the obligations of the parties shall have the meanings assigned to them by the current edition of INCOTERMS published by the International Chamber of Commerce, Paris. The Delivery terms of this Contract shall be as follows:</p> <p><b><i>For Goods Supplied from Abroad:</i></b>                      The delivery terms applicable to the Contract are “Delivered-At-Place” (DAP) delivered at Ammunition Company, Armament and Ammunition Battalion, 1<sup>st</sup> Logistics Support Group, Army Support Command, Philippine Army, Camp Servillano Aquino, Tarlac <b>City</b>. In accordance with INCOTERMS.”</p> <p><b><i>For Goods Supplied from Within the Philippines:</i></b>                      “The delivery terms applicable to this Contract is “delivered Ammunition Company, Armament and Ammunition Battalion, 1<sup>st</sup> Logistics Support Group, Army Support Command, Philippine Army, Camp Servillano Aquino, Tarlac City”. Risk and title will pass from the Manufacturer or Supplier or Distributor to the Procuring Entity upon receipt and final acceptance of the Goods at their final destination.”</p> <p>Delivery of the Goods shall be made by the Manufacturer or Supplier or Distributor in accordance with the terms specified in Section VI. Schedule of Requirements. Deliveries for “safekeeping” is not allowed.</p> <p>The details of shipping and/or other documents to be furnished by the Manufacturer or Supplier or Distributor are as follows:</p> <p><b><i>For Goods supplied from within the Philippines:</i></b>                      Upon delivery of the Goods to the Project Site, the Bidder shall notify the Procuring Entity and present the following documents to the Procuring Entity:</p> <ul style="list-style-type: none"> <li>(i) Original and four copies delivery receipt/note, railway receipt, or truck receipt;</li> <li>(ii) Original Manufacturer or Supplier or Distributor factory inspection report;</li> <li>(iii) Original and four copies of the Manufacturer or Supplier or Distributor warranty certificate;</li> <li>(iv) Original and four copies of the certificate of origin (for imported Goods);</li> </ul>

- (v) Delivery receipt detailing number and description of items received signed by the authorized receiving personnel; and
- (vi) Certificate of Acceptance/Inspection Report signed by the Procuring Entity's representative at the Project Site.

***For Goods supplied from abroad:***

Upon shipment, the Manufacturer or Supplier or Distributor shall notify the Procuring Entity and the insurance company by cable the full details of the shipment, including Contract Number, description of the Goods, quantity, vessel, bill of lading number and date, port of loading, date of shipment, port of discharge etc. Upon delivery to the Project Site, the Manufacturer or Supplier or Distributor shall notify the Procuring Entity and present the following documents as applicable with the documentary requirements of any letter of credit issued taking precedence:

- (i) Original and four copies of the Manufacturer or Supplier or Distributor invoice showing goods' description, quantity, unit price, and total amount;
- (ii) Original and four copies of the negotiable, clean shipped on-board bill of lading marked "freight pre-paid" and five copies of the non-negotiable bill of lading;
- (iii) Original Manufacturer or Supplier or Distributor factory inspection report;
- (iv) Original and four copies of the Manufacturer or Supplier or Distributor warranty certificate;
- (v) Original and four copies of the certificate of origin (for imported Goods);
- (vi) Delivery receipt detailing number and description of items received signed by the Procuring Entity's representative at the Project Site; and
- (vii) Certificate of Acceptance/Inspection Report signed by the Procuring Entity's representative at the Project Site.

**For purposes of this Clause the Procuring Entity's Representative at the Project Site is: PA TIAC, APAO, OG10.**

**Incidental Services –**

The Manufacturer or Supplier or Distributor is required to provide all of the following services, including additional services, if any, specified in Section VI. Schedule of Requirements:

- furnishing of a detailed operations and maintenance manual for each appropriate unit of the supplied Goods;
- The Contract price for the Goods shall include the prices charged by the Manufacturer or Supplier or Distributor for incidental services and shall not exceed the prevailing rates charged to other parties by the Manufacturer or Supplier or Distributor for similar services.

**Packaging (during transit)**

The Manufacturer or Supplier or Distributor shall provide the required packaging of the Goods to prevent their damage or deterioration during transit to their final destination, as indicated in this Contract. The type of packaging must be sufficient to withstand, without limitation, rough handling during transit and exposure to extreme temperatures, salt and precipitation during transit, and open storage. Size and weights of the required packaging shall take into consideration, where appropriate, the remoteness of the GOODS' final destination and the absence of heavy handling facilities at all points in transit.

The marking and documentation within and outside the packages shall comply strictly with such special requirements as shall be expressly provided for in the Contract, including additional requirements, if any, specified below, and in any subsequent instructions ordered by the Procuring Entity.

If the packaging during transit is in **Pallets or other packaging**, the following must be clearly marked on at least four (4) sides:

- Name of the Procuring Entity
- Name of the Manufacturer or Supplier or Distributor
- Contract Description
- Final Destination
- Gross weight
- Any special lifting instructions
- Any special handling instructions
- Any relevant HAZCHEM classifications

Further, if the pallets or other packaging is made of wood, it must be **pest/termite-treated** and must be supported by a certification.

A packaging list identifying the contents and quantities of the package is to be placed on an accessible point of the outer packaging if practical. If not practical the packaging list is to be placed inside the outer packaging but outside the secondary packaging.

The Manufacturer or Supplier or Distributor shall provide such packaging of the Goods as is required to prevent their damage or deterioration during transit to their final destination, as indicated in this Contract. The packaging shall be sufficient to withstand, without limitation, rough handling during transit and exposure to extreme temperatures, salt and precipitation during transit, and open storage. Packaging case size and weights shall take into consideration, where appropriate, the remoteness of the GOODS' final destination and the absence of heavy handling facilities at all points in transit. The packaging, marking, and documentation shall be in accordance with the bidder's standard.

**Insurance –**

The Goods supplied under this Contract shall be fully insured by the Manufacturer or Supplier or Distributor in a freely convertible currency against loss or damage incidental to manufacture or acquisition,

transportation, storage, and delivery. The Goods remain at the risk and title of the Manufacturer or Supplier or Distributor until their final acceptance by the Procuring Entity.

**Transportation –**

Where the Manufacturer or Supplier or Distributor is required under Contract to deliver the Goods CIF, CIP or DDP, transport of the Goods to the port of destination or such other named place of destination in the Philippines, as shall be specified in this Contract, shall be arranged and paid for by the Manufacturer or Supplier or Distributor, and the cost thereof shall be included in the Contract Price.

Where the Manufacturer or Supplier or Distributor is required under this Contract to transport the Goods to a specified place of destination within the Philippines, defined as the Project Site, transport to such place of destination in the Philippines, including insurance and storage, as shall be specified in this Contract, shall be arranged by the Manufacturer or Supplier or Distributor, and related costs shall be included in the Contract Price.

Where the Manufacturer or Supplier or Distributor is required under Contract to deliver the Goods CIF, CIP or DDP, goods are to be transported on carriers of Philippine registry. In the event that no carrier of Philippine registry is available, goods may be shipped by a carrier which is not of Philippine registry provided that the Manufacturer or Supplier or Distributor obtains and presents to the Procuring Entity certification to this effect from the nearest Philippine consulate to the port of dispatch. In the event that carriers of Philippine registry are available, but their schedule delays the Manufacturer or Supplier or Distributor in its performance of this Contract the period from when the Goods were first ready for shipment and the actual date of shipment the period of delay will be considered *force majeure* in accordance with the revised Implementing Rules and Regulations (IRR) of Republic Act (RA) 9184.

The Procuring Entity accepts no liability for the damage of Goods during transit other than those prescribed by INCOTERMS for DDP Deliveries. In the case of Goods supplied from within the Philippines or supplied by domestic Manufacturer or Supplier or Distributor risk and title will not be deemed to have passed to the Procuring Entity until their receipt and final acceptance at the final destination.

**Patent Rights –**

The Manufacturer or Supplier or Distributor shall identify the Procuring Entity against all third-party claims of infringement of patent, trademark, or industrial design rights arising from use of the Goods or any part thereof.

For the given project in this Contract as awarded, all bid prices are considered fixed prices, and therefore not subject to price escalation during contract implementation, except under extraordinary circumstances and upon prior approval of the GPPB in accordance with Section 61 of R.A 9184 and its 2016 Revised IRR.



2.2	<p>Payments shall be made only upon a certification by the <b>HoPE</b> to the effect that the Goods have been <b>rendered</b> or <b>delivered</b> in accordance with the prescribed delivery schedule of this Contract and have been duly <b>inspected</b> and <b>accepted</b>.</p> <p><b>Payment shall be made by check for Local bidder or through Letter of Credit in case of foreign bidder.</b></p> <p>In case payment shall be made by L/C, the PROCURING ENTITY shall open the irrevocable L/C in favor of the foreign bidder in accordance with the terms provided below in an Authorized Government Depository Bank after the approval of the Contract by the HOPE and cash transfer from the PA to the Authorized Government Depository Bank, to wit:</p> <p>(a) <b>Mode of Transmission:</b> Full cable telex/S.W.I.F. T;</p> <p>(b) <b>Advising and/or Confirmation:</b> L/C may be advised and/or confirmed by any bank to be identified by the foreign bidder, at the latter's sole expense;</p> <p>(c) <b>Payee Bank:</b> The L/C draft (if any) shall be drawn on the confirming bank;</p> <p>(d) <b>Beneficiary:</b> [Insert name and address of foreign bidder with Point of Contact;</p> <p>(e) <b>Currency and Amount of L/C:</b> L/C shall be in Philippine Peso, in an amount equivalent to the Total Contract Price. The <b>95%</b> of the amount of L/C shall be released upon completion of all the required documents enumerated in <b>SCC Clause 2.2(g)</b> of the bidding documents and the <b>5%</b> shall be released upon expiration of the warranty period provided in the bidding documents;</p> <p>(f) <b>Expiration Date:</b> <b>Four Hundred Eighty (480) calendar days</b> from issue date of the L/C;</p> <p>(g) <b>Payment Scheme Documentary Requirements:</b> Payment will be <b>"One Time Payment"</b> and shall be made to the bidder at the time of the final acceptance of the GOODS by the PROCURING ENTITY in accordance with Section VI. Schedule of Requirements, and the submission or presentation of the following documents:</p> <ol style="list-style-type: none"> <li>i. Manufacturer or Supplier or Distributor invoice showing GOODS' description, quantity, unit price, and total amount;</li> <li>ii. Negotiable, clean shipped on-board Bill of Lading marked "Freight Pre-Paid" and/or "Non-Negotiable Bill of Lading" or "Airway Bill";</li> <li>iii. Original Manufacturer or Supplier or Distributor factory inspection report or certificate of pre-delivery test and inspection report by PA TIAC (as applicable);</li> <li>iv. Manufacturer or Supplier or Distributor warranty certificate; Original Manufacturer or Supplier or Distributor/Product Warranty/Guaranty Certificate/s issued in the name of the Philippine Army <b>minimum of one (1) year</b> from the date of final acceptance (full replacement for defective items); <u>Warranty should indicate the Lot Number of the goods;</u></li> <li>v. Certificate of Origin (for imported GOODS);</li> </ol>
-----	---

	<ul style="list-style-type: none"> <li>vi. Delivery Receipt detailing number and description of items received signed by the Procuring Entity’s representative at the Delivery Site;</li> <li>vii. Certificate of Acceptance by the PA Technical Inspection and Acceptance Committee (PA TIAC); and</li> <li>viii. Original Manufacturer or Supplier or Distributor Certificate re: <b>Date of Manufacture of Item:</b> Manufacturing date of the items should be within two (2) years reckoned from the date of delivery;</li> </ul> <p>(h) <b>Description of Goods:</b> As stated in the Technical Specifications with additional requirements as indicated in SECTION VI Schedule of Requirements.</p> <p>(i) <b>Delivery Period:</b> Complete Delivery within <b>Four Hundred Fifty (450) calendar days</b> from receipt of the NTP by the bidder, which date shall not be later than seven (7) calendar days from the issuance of NTP: should the bidder fail to comply, the delivery period shall commence.</p> <p>(j) <b>Shipment:</b> One-time shipment; transshipment is acceptable. Negotiability: The L/C shall be irrevocable;</p> <p>(k) <b>Liquidated Damages:</b> Liquidated damages shall be imposed in accordance with Section 68 of the revised Implementing Rules and Regulations (IRR) of Republic Act (RA) 9184.</p> <p>(l) <b>Other Instructions:</b></p> <ul style="list-style-type: none"> <li>i. The cost of the opening, as well as advising, confirmation, extension, and/or amendment, if any, of the L/C, and other bank charges shall be for the account of the bidder;</li> <li>ii. The L/C must be in English; and</li> <li>iii. No boycott or restrictive language.</li> </ul>
<p style="text-align: center;">4</p>	<p>The inspections and tests that will be conducted are:</p> <p><b>A. POST-QUALIFICATION:</b></p> <p>The Lowest Calculated Bidder shall undergo post-qualification to determine whether the bidder complies with and is responsive to all the requirements and conditions as specified in the Bidding Documents. The examination involves documents validation, plant/office visit, and inspection of sample goods. It shall be conducted by the Procuring Entity’s representative, as designated by the PABAC2. Expenses incurred related hereto particularly travel, and board and lodging expenses shall be borne by the Procuring Entity.</p> <p><b>B. PRE-DELIVERY INSPECTION AND TEST:</b></p> <p>All items shall be subjected to Pre-Delivery Inspection (PDI) by the Philippine Army.</p> <p><b>1. For Foreign Bidders:</b></p> <ul style="list-style-type: none"> <li>a. All items shall be subjected to pre-delivery inspection (PDI) and test by the Philippine Army representatives. The PDI shall be conducted not later than sixty (60) days prior to the expiry of the required delivery period at the goods’ country of origin <b>OR</b> at Research and Development Center (RDC), ASCOM, PA <b>OR</b> as the PA TIAC may direct.</li> </ul>

b. The Inspection Team that may attend the pre-delivery test at the country of origin at bidder's expenses shall have a **maximum of three (3) members** who have technical knowledge relevant to the item being procured.

c. The bidder shall ensure that the Inspection Team will be allowed to jointly participate in the conduct of the testing procedures.

d. Bidder shall shoulder all the costs and expense of travel (via/IATA member airlines in case of international travel) and accommodation and securing visas as necessary and travel insurance of all the Inspection Team Members. In this regard, bidder is required to **ISSUE the required written invitations** to the Inspection team through Philippine Army relative to the PDI within **seven (7) calendar days from receipt of NTP.**

e. Bidder shall conduct product/inspection and pre-departure briefing to orient the members of the Inspection team at least one (1) week prior to departure date. Bidder shall ensure that a full time/on-board interpreter is available for non-English speaking country of manufacturer/plant site. Travel documents including insurance must be submitted to the inspection team during the pre-departure briefing.

f. Failure to provide such invitation per paragraph *d* above may result in delays in release of required travel orders for the inspection team and may subject the bidder to applicable sanctions including liquidated damages due to late delivery.

*The PDI shall be conducted in accordance with the prescribed PA Test and Acceptance Procedures or if "Manufacturer's Standard" is reflected as to the requirement in the PA TS/TAP, the Manufacturer's TS and TAP must be in accordance to NATO or equivalent standard.*

**Cost of testing including the cost of sample shall be for the account of the Bidder or supplier. The samples to be used during the test shall be over and above the quantity to be delivered.**

## **2. For Local Bidder:**

a. Pre-delivery inspection of the items to be conducted by the designated **PA TIAC** who have technical knowledge relevant to the item being procured at Research and Development Center (RDC), ASCOM, PA; **OR** at the Local bidder's facilities; **OR** Government Arsenal Facilities; **OR** at an authorized third-party testing facility **OR** as the PA TIAC may direct.

b. All incidental and related expenses relative to inspection shall be for the account of the bidder.

Acceptance Tests to be conducted as per prescribed Test and Acceptance Procedures. **(Annex 4-C) Cost of samples to be used for testing shall be for the account of the bidder or supplier. The samples to be used during the test shall be over and above the quantity to be delivered.**

**SPECIFICATIONS:**

<i>Description</i>	<i>Technical Specifications</i>	<i>Test and Acceptance Procedure</i>
Medium Multi-Purpose Assault Weapon (MMAW) with Precision Guided Munition (PGM)	TS NR: ORDF11(MMAW(PGM)-00)11-23 dated 17 December 2023	Manufacturer's Standard (NATO or Equivalent Standards & Procedures)

**All items to be supplied must come from one (1) source and manufacturer only.**

**Date of Manufacture of Item: Manufacturing date of the items should be within two (2) years reckoned from the date of delivery;**

**C. Final Inspection and Acceptance** will be at the Delivery Site. Completeness and appropriateness of the delivered goods shall be inspected by the Procuring Entity's representative at the delivery site at the soonest time possible. After completion of the inspection, the inspection team shall furnish the following reports;

1. Final Inspection and Acceptance Report by the TIAC;
2. OG10 Inspection Report;
3. SAO/APAO Acceptance Report;

**Correction of Defects:**

**a. During Pre-Delivery Inspection. Any defects noted during pre-delivery inspection** shall be corrected prior to shipment of the goods subject for another **test and inspection**.

**b. During TIAC Inspection:**

**b1. For items delivered within the delivery period**, the bidder shall be allowed to correct defects within 30 calendar days upon receipt of written Notice from the PAPC or within the remaining days of the delivery period, whichever comes later. (Note: This provision is not applicable to items delivered beyond the delivery period.)

**b2. For items delivered after the lapse of the delivery period**, the bidder shall be allowed to correct defects, subject to the imposition of liquidated damages.

	<p><b><u>TIAC Non-Acceptance of Goods:</u></b></p> <p>In case items are rejected, the <b>PA TIAC</b> shall issue <b>Certificate of Non-Acceptance</b> on the cause of non-compliance of the goods. A corresponding <b>Notice of Non-Acceptance</b> shall then be issued by <b>Philippine Army Procurement Center (PAPC)</b> to the bidder.</p> <p>In case of rejection, the Goods shall be secured and shall remain under the custody of the PA until re-exported (if imported) at the expense of the bidder to include storage charges, subject to the applicable laws in the Philippines.</p> <p>Bidder shall be <b>subjected to blacklisting</b> due to termination for default.</p>
5.1	<p>The warranty shall be covered by, either retention money in an amount equivalent to <b>five percent (5%)</b>, or a special bank guarantee equivalent to <b>five percent (5%)</b> of the Contract Price in favor of the Armed Forces of the Philippines.</p> <p>The bidder shall issue a Warranty Certificate for the period of one year (1) from the date of final acceptance by the Procuring Entity.</p> <p>The Obligation for the warranty shall only be released after the lapse of the warranty period.</p>
5.2	<p>The period for repair or replacement for the defective goods or parts thereof shall be within Ninety (90) Calendar Days (maximum) upon receipt of the Notice of Defects.</p>
6	<p>When the bidder fails to satisfactorily deliver the goods or services under the contract within the specified delivery schedule or project implementation schedule, inclusive of duly granted time extensions, if any, the bidder shall be liable for liquidated damages, and such other sanctions as provided under RA 9184 and its 2016 Revised IRR.</p>

## SECTION VI. SCHEDULE OF REQUIREMENTS

L/ I	Description	Qty	Unit	Delivery Period	Delivery Place		
1	Missile	10	sets	Four Hundred Fifty (450) calendar days upon receipt of NTP by the bidder, which date shall not be later than seven (7) calendar days from the issuance of NTP; should the bidder fail to comply, the delivery period shall commence.	Ammunition Company, Armament and Ammunition Battalion, 1 <sup>st</sup> Logistics Support Group, Army Support Command, Philippine Army, Camp Servillano Aquino, Tarlac City		
	Launcher	5	each				
	Tripod	5	each				
	Additional Battery for the Launch Unit	5	each				
	Carrying Bag that can accommodate at least 2 rounds assembly	5	each				
	MMAW Cut-away Model	1	set				
	Technical Data Sheet (Placed and Attached in every outer packaging visible for verification)	1	each per Outer Packaging				
	Packing List (Placed and Attached in every outer packaging visible for verification)	1					
	Integrated Logistics Support (ILS)						
	a. Maintenance Manual and Tools	1	set				
	b. Test Equipment	1	set				
	c. Technical Manual with illustrated parts	5	each				
	d. Operators Training and Operators Trainor's Training (5 days min)	1	set	To be conducted 1 month after the date of delivery	Fort Ramon Magsaysay 3130 Palayan City, Nueva Ecija		
<b>Unit</b>	<b>Nr of Pers</b>						
MC, TRADOC, PA	2						
SFR(A) Training School	2						
FC, TRADOC, PA	2						
ASCOM, PA	2						
Inf Divisions	7						
<b>TOTAL</b>	<b>15</b>						
e. Maintenance and Storage Training (5 days min) – 10pax	1	set					
<b>Unit</b>					<b>Nr of Pers</b>		
ASCOM, PA					8		
SFR(A) PA					2		
<b>TOTAL</b>	<b>10</b>						

# SECTION VII. TECHNICAL SPECIFICATIONS



**ARMY 2040: WORLD-CLASS. MULTI-MISSION READY. CROSS-DOMAIN CAPABLE.**  
*Technical Specifications for Medium Multipurpose Assault Weapon (MMAW) with Precision Guided Munition (PGM)*  
 TS NR: ORDF11(MMAW(PGM)-00)11-23

HEADQUARTERS  
 PHILIPPINE ARMY  
 Fort Andres Bonifacio, Taguig City

TS NR: ORDF11(MMAW(PGM)-00)11-23

DEC 17 2023

**TECHNICAL SPECIFICATIONS FOR**  
**Medium Multipurpose Assault Weapon (MMAW) with**  
**Precision Guided Munition (PGM)**

<b>Description</b>	A man-portable medium close combat missile system that can be used during the day, night and all-weather conditions operated by an individual soldier or in crews of two or three to precisely hit armored targets, fortified structures and even low flying aircraft through top and direct attack
<b>PHYSICAL AND TECHNICAL CHARACTERISTICS</b>	
<b>1. Caliber:</b>	130mm (max)
<b>2. Overall Weight:</b>	Maximum <b>30kgs</b> including the following: <ul style="list-style-type: none"> <li>• Round Assembly (launch tube assembly, missile and battery coolant unit)</li> <li>• Command/Control/Observation Launch Unit</li> </ul>
<b>3. Round Assembly:</b>	Shall consist of the launch tube assembly, missile and battery coolant unit
<b>3.1. Launch Tube Assembly:</b>	
3.1.1. Capacity	Shall contain one (1) missile
3.1.2. Color	Olive Drab/Green (Predominantly a shade of green with a hint of brown)
3.1.3. Material and Finish	Manufacturer's Standard
3.1.4. Locking Device	Equipped with locking mechanism to automatically connect with the Launch Unit
3.1.5. End Covers	Equipped with two (2) end covers to protect the missile from damage during transport and handling Design and material shall be according to the manufacturer's standard
3.1.5. Additional Features	Equipped with the following minimum requirements: <ul style="list-style-type: none"> <li>a. Adjustable sling</li> <li>b. Carrying handle</li> <li>c. Shoulder Pad</li> </ul> Design and material shall be according to the manufacturer's standard
<b>3.2. Missile:</b>	
3.2.1. Length	900mm – 1,300mm
3.2.2. Weight	Manufacturer's Standard

HONOR. PATRIOTISM. DUTY.





**ARMY 2040: WORLD-CLASS. MULTI-MISSION READY. CROSS-DOMAIN CAPABLE.**

*Technical Specifications for Medium Multipurpose Assault Weapon (MMAW) with Precision Guided Munition (PGM)  
TS NR: ORDF11(MMAW(PGM)-00)11-23*

3.2.3. Seeker	Imaging Infrared (IIR) [min]
3.2.4. Guidance System	Infrared Homing
3.2.4.1. Type	Fire-and-Forget
3.2.5. Warhead	
3.2.5.1. Weight	Manufacturer's Standard
3.2.5.2. Type	Tandem-Charge or Dual-Charge, High Explosive Anti-Tank (HEAT)
3.2.5.3. Filler	Manufacturer's Standard
3.2.6. Fuze	
3.2.7. Actuator	Manufacturer's Standard
3.2.8. Propulsion	
3.2.9. Quantity of Missile	One (1) per Launch Tube
3.2.6. Shelf-Life	10 years (min)
<b>3.3. Battery Coolant Unit (BCU):</b>	
3.3.1. Size and Weight	Manufacturer's Standard
3.3.2. Gas	Nitrogen or Argon
3.3.3. Operating Time	At least 200 seconds per BCU
3.3.4. Quantity of BCU	At least two (2) BCU per missile
<b>4. Command/Control/Observation Launch Unit (LU):</b>	
4.1. Type	Detachable, Reusable and Battery-Operated
4.2. Capability and Function	Shall have the minimum capability and function: a. Serves as gunner's interface b. Provides electrical interface with the round assembly c. Control, fire/launch missile d. Provides day and night observation and/or surveillance e. Target detection, acquisition, aiming, designation and tracking f. Classification and recognition
4.3. Components	Shall consists of the following minimum requirements: a. Main Housing b. Launch Unit's electronics system c. Controls and Display d. Sight Assembly (Day and Night) e. Eyepiece f. Battery with Compartment g. Shock Absorbers h. Handgrips

HONOR. PATRIOTISM. DUTY.





**ARMY 2040: WORLD-CLASS. MULTI-MISSION READY. CROSS-DOMAIN CAPABLE.**

Technical Specifications for Medium Multipurpose Assault Weapon (MMAW) with Precision Guided Munition (PGM)  
 TS NR: ORDF11(MMAW(PGM)-00)11-23



	Design and material shall be according to the manufacturer's standard
4.4. Size and Weight	Manufacturer's Standard
4.5. Firing Mechanism	Mechanical (Manual) and/or Electronic
4.6. Safety Mechanism	Equipped with safety function or any safety device that prevents both firing by accident and non-intentional arming
4.7. Battery for Launch Unit	
4.7.1. Size and Weight	Manufacturer's Standard
4.7.2. Type and Quantity	At least two (2) Non-Rechargeable Battery
4.8. Sight Assembly:	
4.8.1. Capability	Can be used during day, night and all-weather conditions
4.8.2. Fields of View	Equipped with Wide and Narrow Field of View
4.8.3. Magnification	Manufacturer's Standard
4.9. Quantity of Launch Unit	As indicated in the contract
<b>5. Launching/Mounting System:</b>	Shoulder, Tripod and Vehicle
<b>6. Accessories:</b>	
6.1. Carrying Case/Bag	Each Launch Unit shall be provided with a carrying case (hard plastic) or bag Design and material shall be according to the manufacturer's standard
6.2. Cleaning Kit	One (1) set per Launch Unit
6.3. Operator or User Manual	One (1) manual per Weapon
<b>6. Packaging:</b>	
6.1. Inner	Metal/Plastic/Fiberboard container containing the following: a. At least one (1) launch tube assembly containing one (1) missile b. At least two (2) Battery Coolant Unit (BCU)
6.2. Outer	Provided, Manufacturer's Standard
<b>7. Markings:</b>	
7.1. Launch Tube Assembly	a. Nomenclature b. Lot Number or Serial Number c. Weight d. Storage Temperature Requirement
7.2. Missile	Manufacturer's Standard Markings (as applicable)
7.3. Launch Unit	The letters "AFP" and the manufacturer's sequential number shall be engraved/marked on the visible part of the unit
7.4. Inner Packaging	a. "PH Government Property" b. "Philippine Army" c. Nomenclature

HONOR. PATRIOTISM. DUTY.

*[Handwritten signatures and initials]*



**ARMY 2040: WORLD-CLASS. MULTI-MISSION READY. CROSS-DOMAIN CAPABLE.**

*Technical Specifications for Medium Multipurpose Assault Weapon (MMAW) with Precision Guided Munition (PGM)  
TS NR: ORDF11(MMAW(PGM)-00)11-23*



		d. Lot Numbers or Serial Numbers of the Launch Tube Assembly
		e. Contents
		f. Weight (Gross)
		g. Name of Manufacturer
		h. Country of Origin
		i. Hazard Classification Code
		j. Storage Temperature Requirement
7.5. Outer Packaging		a. <b>"PH Government Property"</b>
		b. <b>"Philippine Army"</b>
		c. Nomenclature
		d. Quantity
		e. Weight (Gross & N.E.W.)
		f. Dimension (LxWxH)
		g. Name of Manufacturer
		h. Country of Origin
		i. Hazard Classification Code
		j. Storage Temperature Requirement
<b>PERFORMANCE CHARACTERISTICS</b>		
8. Attack Mode	<b>Top Attack</b>	Capable to deliver Top Attack with a minimum effective engagement range of <b>150 meters</b>
	<b>Direct Attack</b>	Capable to deliver Direct Attack with a minimum effective engagement range of <b>65 meters</b>
9. Engagement Range		Capable to engage target at a range of at least <b>2,000 meters</b>
10. Speed		Manufacturer's Standard
11. Hit Probability		The hit probability shall be at least 90%
12. Penetration Capability		Capable to penetrate a Rolled Homogenous Armor (RHA) with a minimum thickness of <b>30in or 762mm</b>
<b>OTHER REQUIREMENTS</b>		
13. Order Quantity	Round Assembly	As specified in the contract
	Launch Unit	
14. Tripod		
15. Additional Battery for the Launch Unit		
16. Carrying Bag that can accommodate atleast two (2) round assembly		
17. Integrated Logistics Support (ILS) and Training Package		

HONOR. PATRIOTISM. DUTY.




**ARMY 2040: WORLD-CLASS. MULTI-MISSION READY. CROSS-DOMAIN CAPABLE.**


*Technical Specifications for Medium Multipurpose Assault Weapon (MMAW) with Precision Guided Munition (PGM)  
TS NR: ORDF11(MMAW(PGM)-00)11-23*



18. Maintenance Manual and Tools	
19. Technical Manual with illustrated parts list	
20. Cut-away Model	
21. Warranty	
22. Packing lists	Placed and attached in every outer packaging visible for verification
23. Technical Data Sheet	

**PREPARED BY:**


  
**GIOVANNI D PEÑAFLORIDA JR**  
 Major (OS) PA  
 Chief, Firepower Branch, OACOCS

  
**RIZA S DULAWAN**  
 Major (OS) PA  
 Acting Chief, PRB, OACOCS

**RECOMMENDED BY:**

  
**JESUS JEFFREY F GRAPA**  
 Colonel GSC (OS) PA  
 ACOCS

**APPROVED BY:**

  
**ROY M GALIDO**  
 Lieutenant General PA  
 Commanding General

**HONOR. PATRIOTISM. DUTY.**



# ***TEST AND ACCEPTANCE PROCEDURE (TAP)***

## ***MANUFACTURER'S STANDARD***

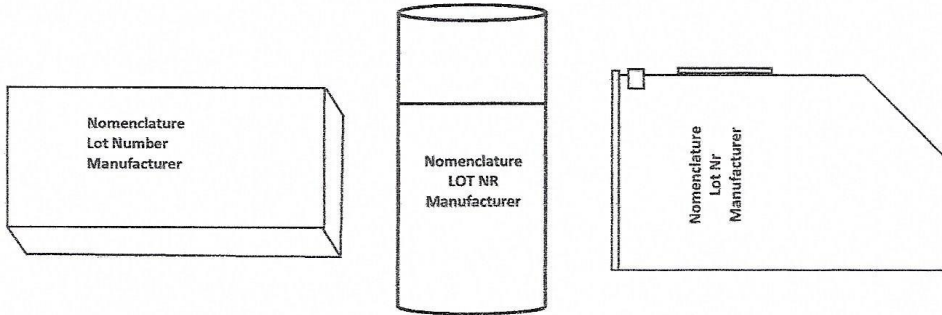
**Note:** The Test and Acceptance Procedures to include the Sampling Plan and Acceptance and Rejection Criteria for this item shall be in accordance with the standard of the Manufacturer. Must be in accordance NATO or equivalent standard.

*By 2028, a world-class Army that is a source of national pride.*

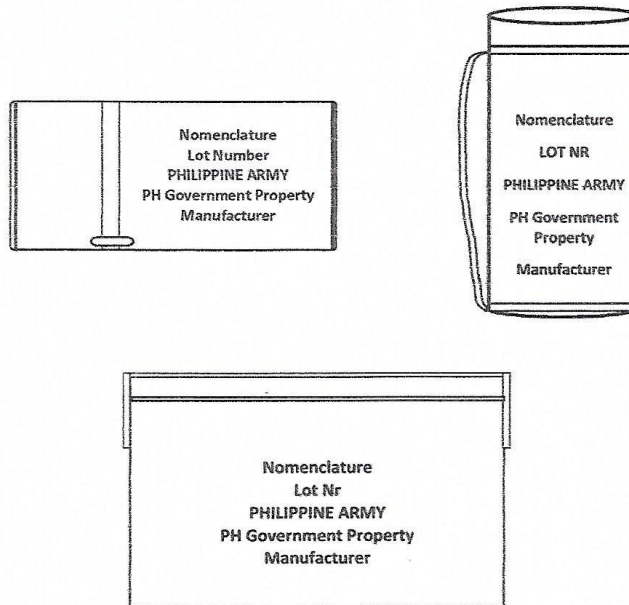
HEADQUARTERS  
PHILIPPINE ARMY  
OFFICE OF THE ARMY CHIEF ORDNANCE AND CHEMICAL SERVICE  
*Fort Andres Bonifacio, Metro Manila*

**SAMPLE DIAGRAM FOR MARKINGS ON PACKAGING OF  
AMMUNITION**

**INNER PACKAGING:** (Sample Illustration, Diagram Not in Scale)



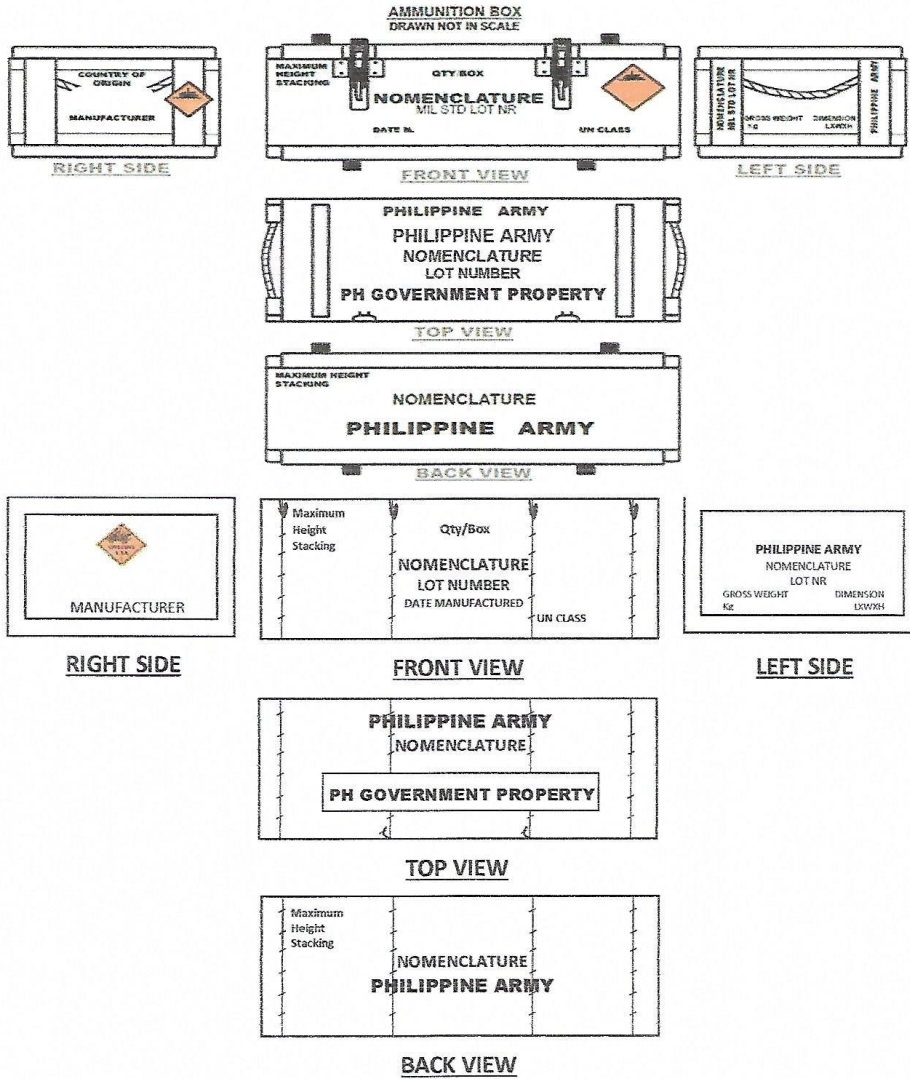
**INTERMEDIATE PACKAGING:** (Sample Illustration, Diagram Not in Scale)



*Honor. Patriotism. Duty.*

By 2028, a world-class Army that is a source of national pride.

**OUTER PACKAGING:** (Sample Illustration, Diagram Not in Scale)



**Note:** The illustrated diagram is just an example purposely to serve as reference. Placement, font size, and font-style are manufacturer's standard. Refer to Technical Specification for the minimum required markings.

PREPARED BY:

APPROVED BY:

*Darrel P. Mariano*  
 DARREL P MARIANO  
 MAJ (OS) PA  
 Chief, PRB

*Florentino P. Sison*  
 FLORENTE P SISON  
 Colonel, MNSA PA  
 Chief



Honor. Patriotism. Duty.

## SECTION VIII. CHECKLIST OF TECHNICAL AND FINANCIAL DOCUMENTS

TAB	I. TECHNICAL COMPONENT ENVELOPE								
<b>Class "A" Documents</b>									
<b>Legal Documents:</b>									
<b>A</b>	Valid <b>PhilGEPS Registration Certificate</b> (Platinum Membership) (all pages) in accordance with Section 8.5.2 of the 2016 Revised Implementing Rules (as of 03 July 2023) and the GPPB Resolution No. 15-2021 dated 14 October 2021.								
<b>Technical Documents:</b>									
<b>B</b>	<b>Statement of the prospective bidder of all its ongoing government and private contracts</b> , including contracts awarded but not yet started, if any, whether similar or not similar in nature and complexity to the contract to be bid ( <b>Annex 1</b> ); <b>and</b>								
<b>C</b>	<b>Statement of the bidder's Single Largest Completed Contract (SLCC)</b> similar to the contract to be bid, except under conditions provided for in Sections 23.4.1.3 and 23.4.2.4 of the 2016 revised IRR of RA No. 9184, within the relevant period as provided in the Bidding Documents ( <b>Annex 2</b> ); <b>and</b>								
<b>D</b>	Original copy of <b>Bid Security</b> . If in the form of a Surety Bond, submit also a certification issued by the Insurance Commission; <b>or</b> Original copy of <b>Notarized Bid Securing Declaration (Annex 3)</b>								
<b>E</b>	1. <b>Completed and signed Conformance/Statement of Compliance</b> to Technical Bid Form, Technical Specifications (TS) and other Test and Acceptance Procedure (TAP) (with corresponding Sampling Plans and AQL); ( <b>Annex 4</b> ) <table border="1" style="width: 100%; margin-top: 5px;"> <tbody> <tr> <td style="text-align: center;"><b>Annex 4-A</b></td> <td>Technical Bid Forms</td> </tr> <tr> <td style="text-align: center;"><b>Annex 4-B</b></td> <td>Technical Specifications</td> </tr> <tr> <td style="text-align: center;"><b>Annex 4-C</b></td> <td>Test and Acceptance Procedures (Packaging and Markings) with the Sampling Plan and AQL.</td> </tr> <tr> <td style="text-align: center;"><b>Annex 4-D</b></td> <td>Sample Format of Technical Data Sheet</td> </tr> </tbody> </table>	<b>Annex 4-A</b>	Technical Bid Forms	<b>Annex 4-B</b>	Technical Specifications	<b>Annex 4-C</b>	Test and Acceptance Procedures (Packaging and Markings) with the Sampling Plan and AQL.	<b>Annex 4-D</b>	Sample Format of Technical Data Sheet
<b>Annex 4-A</b>	Technical Bid Forms								
<b>Annex 4-B</b>	Technical Specifications								
<b>Annex 4-C</b>	Test and Acceptance Procedures (Packaging and Markings) with the Sampling Plan and AQL.								
<b>Annex 4-D</b>	Sample Format of Technical Data Sheet								
<b>F</b>	2. Conformity with the <b>Schedule of Requirements. (Annex 6)</b> ; <b>and</b> Original duly signed Omnibus Sworn Statement (OSS); and if applicable, Original Notarized Secretary's Certificate in case of a corporation, partnership, or cooperative; or Original Special Power of Attorney of all members of the joint venture giving full power and authority to its officer to sign the OSS and do acts to represent the Bidder ( <b>Annex 7</b> ); <b>and</b>								
<b>G</b>	Warranty Undertaking ( <b>Annex 8</b> ); <b>and</b>								

<p>H</p>	<p><b>Proof of Authority</b> of the designated representative/s for purposes of the bidding; <b>and</b></p> <p><b><u>For Local Bidder:</u></b></p> <p>a. <b>Duly notarized Special Power of Attorney</b> – For Sole Proprietorship if owner opts to designate a representative/s; <b>or</b></p> <p>b. <b>Duly notarized Secretary’s Certificate</b> evidencing the authority of the designated representative/s, issued by the corporation, cooperative or the members of the joint venture.</p> <p><b><u>For Foreign Bidder:</u></b></p> <p>a. Valid <b>and Current Written Appointment</b> of the Philippine based company (as local representative of foreign bidder) issued by the foreign bidder. The written appointment must include detailed scope of responsibility of the local representative.</p> <p>b. <b>Duly Notarized authorization of the Philippine Based Company’s representative</b> (e.g., Secretary’s Certificate for Corporation, Special Power of Attorney for Sole Proprietor).</p> <p><b><i>In case of unincorporated joint venture, each member shall submit a separate Special Power of Attorney and/or Secretary’s Certificate evidencing the authority of the designated representatives for purposes of this bidding.</i></b></p> <p>The above proofs of authority must state the scope of authority of its authorized representative, must bear a specimen signature of the authorized representative, and must contain contact details of the representative, such as address, email address and telephone/mobile number.</p>
<p>I</p>	<p>Copy of Letter Request to Headquarters Armed Forces of the Philippines Procurement Service (HAFPPS) for the issuance of Certificate that the Bidder is not <b>Blacklisted</b> and <b>no overdue delivery</b>, stamped received by the said Office.</p> <p>Notes:</p> <p>1. In case of Joint Venture, each partner shall submit said Letter Request.</p> <p>2. Certification will be required during post-qualification.</p>
<p><b><i>Financial Documents:</i></b></p>	
<p>J</p>	<p>The prospective bidder’s computation of Net Financial Contracting Capacity (NFCC) (<b>Annex 9</b>);</p> <p style="text-align: center;"><b>or</b></p> <p>A committed Line of Credit <b>that must be at least equal to ten percent (10%) of the ABC of the project</b> issued from a Universal or Commercial Bank in lieu of its NFCC computation. <b>The amount of the committed Line of Credit MUST BE MACHINE VALIDATED.</b></p>



<b>Class "B" Documents</b>	
<b>K</b>	<p>If applicable, a duly signed joint venture agreement (JVA) in case the joint venture is already in existence;</p> <p style="text-align: center;"><b>or</b></p> <p>duly notarized statements from all the potential joint venture partners stating that they will enter into and abide by the provisions of the JVA in the instance that the bid is successful <b>(Annex 10-A)</b>.</p> <p style="text-align: center;"><b>or</b></p> <p>If Joint Venture is not applicable, the bidder must submit a duly signed statement stating that JVA is not applicable <b>(Annex 10-B)</b>.</p>
<b>Other documentary requirements under RA No. 9184 (as applicable)</b>	
<b>L</b>	Certification from the DTI if the Bidder claims preference as a Domestic Bidder or Domestic Entity.
<b>M</b>	For foreign bidders claiming by reason of their country's extension of reciprocal rights to Filipinos, Certification from the relevant government office of their country stating that Filipinos are allowed to participate in government procurement activities for the same item or product.

<b>II. FINANCIAL COMPONENT ENVELOPE</b>	
<b>A</b>	Original of duly signed and accomplished Bid Form <b>(Annex 11-A)</b> <b>and</b>
	Financial Bid Form <b>(Annex 11-B)</b> ; <b>and</b>
<b>B</b>	Original of duly signed and accomplished Price Schedule(s) <b>(Annex 12)</b> .

## ANNEXES

<b>TECHNICAL DOCUMENTS</b>	
Statement of the prospective bidder of all its ongoing government and private contracts	<b>Annex 1</b>
Statement of the bidder's Single Largest Completed Contract (SLCC) similar to the contract to be bid within five (5) years from the date of Submission and Receipt of Bids	<b>Annex 2</b>
Bid Securing Declaration	<b>Annex 3</b>
Completed and signed Conformance/Statement of Compliance to Technical Bid Form, Technical Specifications (TS) and other Test and Acceptance Procedure (TAP) (with corresponding Sampling Plans and AQL)	<b>Annex 4</b>
Statement of Compliance to Technical Bid Form	<b>Annex 4-A</b>
Statement of Compliance to Technical Specifications	<b>Annex 4-B</b>
Statement of Compliance to Test and Acceptance Procedures, Sampling Plan, AQL, Packaging, and Markings	<b>Annex 4-C</b>
Conformity with the Sample Format of Technical Data Sheet	<b>Annex 4-D</b>
Bidder's Certification on Conformance to the TS, TAP, Sampling Plan, AQL, Packaging and Markings	<b>Annex 5</b>
Conformity with the Schedule of Requirements	<b>Annex 6</b>
Omnibus Sworn Statement (OSS)	<b>Annex 7</b>
Warranty Undertaking	<b>Annex 8</b>
Certificate of Net Financial Contracting Capacity (NFCC)	<b>Annex 9</b>
Protocol/Undertaking of Agreement to enter into Joint Venture	<b>Annex 10-A</b>
Sample Format of Statement of Inapplicability of Joint Venture Agreement	<b>Annex 10-B</b>
<b>FINANCIAL DOCUMENTS</b>	
Bid Form	<b>Annex 11-A</b>
Financial Bid Form	<b>Annex 11-B</b>
Bid Prices and applicable Price Schedules	<b>Annex 12</b>

## Annex 1

**Bidder's Company Letterhead****PROCUREMENT OF MEDIUM MULTI-PURPOSE ASSAULT WEAPON (MMAW)  
WITH PRECISION GUIDED MUNITION (PGM) FOR THE PHILIPPINE ARMY****BID REF ORD PABAC2-025-24**

<b><i>DESCRIPTION</i></b>	<b><i>QTY (units)</i></b>	<b><i>ABC (PESOS)</i></b>
Medium Multi-Purpose Assault Weapon (MMAW) with Precision Guided Munition (PGM)	1 Lot	208,333,000.00

**STATEMENT OF ALL ONGOING GOVERNMENT AND PRIVATE CONTRACTS  
(INCLUDING CONTRACTS AWARDED BUT NOT YET STARTED)**

Item Nr	Name of the Contract	Date of Contract	Contract Duration	Owner's Name & Address	Kinds of Goods	Amount of Contract and Value of Outstanding Contracts	Date of Delivery
<b>TOTAL</b>							

**CERTIFIED CORRECT:**

\_\_\_\_\_  
Name and Signature of Authorized Representative

\_\_\_\_\_  
Position

\_\_\_\_\_  
Date

## Annex 2

**Bidder's Company Letterhead****PROCUREMENT OF MEDIUM MULTI-PURPOSE ASSAULT WEAPON (MMAW)  
WITH PRECISION GUIDED MUNITION (PGM) FOR THE PHILIPPINE ARMY****BID REF ORD PABAC2-025-24**

<i>DESCRIPTION</i>	<i>QTY (units)</i>	<i>ABC (PESOS)</i>
Medium Multi-Purpose Assault Weapon (MMAW) with Precision Guided Munition (PGM)	1 Lot	208,333,000.00

**STATEMENT OF SINGLE LARGEST COMPLETED CONTRACT (SLCC) SIMILAR TO THE CONTRACT TO BE BID WITHIN FIVE (5) YEARS FROM THE DATE OF SUBMISSION AND RECEIPT OF BIDS**

- a. For the procurement of Expendable Supplies: The Bidder must have completed a single contract that is similar to this Project, equivalent to **at least twenty-five percent (25%)** of the ABC.

Item Nr	Name of the Contract	Date of Contract	Contract Duration	Owner's Name & Address	Kinds of Goods	Amount of Completed Contract/s	Date of Delivery	OR Nr & Date, End-User's Acceptance Date or Sales "Invoice with Collection Receipt
TOTAL								

**CERTIFIED CORRECT:**

\_\_\_\_\_  
Name and Signature of Authorized Representative

\_\_\_\_\_  
Position

\_\_\_\_\_  
Date

**Annex 3**  
(PAGE 1 OF 2)

REPUBLIC OF THE PHILIPPINES)  
CITY OF \_\_\_\_\_) S.S.

**BID SECURING DECLARATION FORM**

**PROCUREMENT OF MEDIUM MULTI-PURPOSE ASSAULT WEAPON (MMAW)  
WITH PRECISION GUIDED MUNITION (PGM) FOR THE PHILIPPINE ARMY**

**BID REF ORD PABAC2-025-24**

<i><b>DESCRIPTION</b></i>	<i><b>QTY (units)</b></i>	<i><b>ABC (PESOS)</b></i>
Medium Multi-Purpose Assault Weapon (MMAW) with Precision Guided Munition (PGM)	1 Lot	208,333,000.00

To: *[Insert name and address of the Procuring Entity]*

I/We<sup>1</sup>, the undersigned, declare that:

1. I/We understand that, according to your conditions, bids must be supported by a Bid Security, which may be in the form of a Bid-Securing Declaration.
2. I/We accept that: (a) I/we will be automatically disqualified from bidding for any contract with any procuring entity for a period of two (2) years upon receipt of your Blacklisting order; and, (b) I/we will pay the applicable fine provided under Section 6 of the Guidelines on the Use of Bid Securing Declaration, within fifteen (15) days from receipt of the written demand by the procuring entity for the commission of acts resulting to the enforcement of the bid securing declaration under Sections 23.1(b), 34.2, 40.1 and 69.1, except 69.1(f), of the IRR of RA 9184; without prejudice to other legal action the government may undertake.
3. I/We understand that this Bid Securing Declaration shall cease to be valid on the following circumstances:
  - (a) Upon expiration of the bid validity period, or any extension thereof pursuant to your request;
  - (b) I am/we are declared ineligible or post-disqualified upon receipt of your notice to such effect, and (i) I/we failed to timely file a request for reconsideration or (ii) I/we filed a waiver to avail of said right;
  - (c) I am/we are declared the bidder with the Lowest Calculated Responsive Bid, and I/we have furnished the performance security and signed the Contract.

---

<sup>1</sup> Select one and delete the other. Adopt the same instruction for similar terms throughout the document.

**Annex 3**  
**(PAGE 2 OF 2)**

IN WITNESS WHEREOF, I/We have hereunto set my/our hand/s this \_\_\_\_ day of [month] [year] at [place of execution].

*[Insert NAME OF BIDDER'S AUTHORIZED REPRESENTATIVE] [Insert Signatory's Legal Capacity]*

Affiant

**SUBSCRIBED AND SWORN TO BEFORE ME**, in \_\_\_\_\_, on \_\_\_\_\_, personally appearing to and personally known to me to be the same person who executed the foregoing instrument. Affiant exhibited to me his/her identification card, with I.D. No. \_\_\_\_\_, issued at \_\_\_\_\_ and valid until \_\_\_\_\_.

Doc. No.: \_\_\_\_\_;  
Page No.: \_\_\_\_\_;  
Book No.: \_\_\_\_\_;  
Series of 2023.

## Annex 4

**STATEMENT OF COMPLIANCE**  
**TO TECHNICAL SPECIFICATIONS, TEST AND ACCEPTANCE, SAMPLING**  
**PLANS, AQL, PACKAGING AND MARKINGS**

The bidder must state in the last column opposite each parameter and required specifications either "Comply" or "Not Comply". All pages shall be properly signed. Bidders must state here either "Comply" or "Not Comply" against each of the individual parameters of each Specification stating the corresponding performance parameter of the equipment offered. Statements of "Comply" or "Not Comply" must be supported by evidence in a Bidders Bid and cross-reference to that evidence. Evidence shall be in the form of bidder's un-amended sales literature, unconditional statements of specification and compliance issued by the bidder, samples, independent test data etc., as appropriate. A statement that is not supported by evidence or is subsequently found to be contradicted by the evidence presented will render the Bid under evaluation liable for rejection. A statement either in the Bidders statement of compliance or the supporting evidence that is found to be false either during Bid evaluation, post-qualification or the execution of the Contract may be regarded as fraudulent and render the Bidder liable for prosecution subject to the provisions of ITB Clause above goods manufactured by us.

**CLARIFICATION AND SETTLEMENT OF CONFLICTING  
INTERPRETATION OF THE TECHNICAL SPECIFICATIONS**

All clarifications regarding the technical specifications stipulated in this section will be clarified by the members of the Technical Working Group. In cases of conflicting interpretations, the nature and purpose of the equipment will be the basis of interpretation. The main basis for technical specifications and requirements is the nature and purpose of the equipment and its intended use as determined by the doctrinal application of the end-users represented herein by the Technical Working Group.

\_\_\_\_\_  
Name of Company (in print)

\_\_\_\_\_  
Signature of Company Authorized Representative

\_\_\_\_\_  
Name and Designation

\_\_\_\_\_  
Date

**TECHNICAL BID FORM**

**PROCUREMENT OF MEDIUM MULTI-PURPOSE ASSAULT WEAPON (MMAW) WITH PRECISION GUIDED MUNITION (PGM) FOR THE PHILIPPINE ARMY**

**BID REF ORD PABAC2-025-24**

**TO THE BIDDER:** Indicate “COMPLY” if Bidder’s Statement of Compliance meets the Technical Specifications (TS), Test Procedures and Acceptance (TAP) and other Project Requirements. DO NOT LEAVE ANY BLANK. A “YES” OR “NO” ENTRY WILL NOT BE ACCEPTED. FAILURE TO CONFORM WILL RESULT IN A RATING OF “FAILED”.

Line No.	Technical Specifications	Bidder’s Statement of Compliance						
1	<table border="1"> <thead> <tr> <th data-bbox="336 696 681 757">Description</th> <th data-bbox="681 696 890 757">Technical Specifications</th> <th data-bbox="890 696 1126 757">Test and Acceptance Procedure</th> </tr> </thead> <tbody> <tr> <td data-bbox="336 757 681 869">Medium Multi-Purpose Assault Weapon (MMAW) with Precision Guided Munition (PGM)</td> <td data-bbox="681 757 890 869">TS NR: ORDF11 MMAW(PGM)-00)11-23 dated 17 December 2023</td> <td data-bbox="890 757 1126 869">Manufacturer’s Standard (NATO or Equivalent Standards &amp; Procedures)</td> </tr> </tbody> </table>	Description	Technical Specifications	Test and Acceptance Procedure	Medium Multi-Purpose Assault Weapon (MMAW) with Precision Guided Munition (PGM)	TS NR: ORDF11 MMAW(PGM)-00)11-23 dated 17 December 2023	Manufacturer’s Standard (NATO or Equivalent Standards & Procedures)	
Description	Technical Specifications	Test and Acceptance Procedure						
Medium Multi-Purpose Assault Weapon (MMAW) with Precision Guided Munition (PGM)	TS NR: ORDF11 MMAW(PGM)-00)11-23 dated 17 December 2023	Manufacturer’s Standard (NATO or Equivalent Standards & Procedures)						
2	We will provide the required <b>Manufacturer’s Standard and TAP</b> with the Tests and Inspections Parameters, Types and Classification of Defects, Acceptance and Rejection Criteria, and Sampling Plan/Allocation of Representative Samples along with the Technical Eligibility Documents. Manufacturer’s Standard and TAP will be in accordance NATO or equivalent standard & procedures.							
3	<b>Date of Manufacture of Item:</b> Manufacturing date of the items should be within two (2) years reckoned from the date of delivery;							
4	We will provide one (1) Technical Data Sheet to be placed inside each of the outer packaging of the ammunition in accordance with the sample format provided.							
5	We will provide software maintenance upgrade free of charge within expected shelf life.							

**BIDDER’S UNDERTAKING**

I/WE, the undersigned bidder, having examined the Bidding Documents including Bid Bulletins, as applicable, hereby OFFER to (supply/deliver/perform) the above-described items.

I/WE undertake, if our bid is accepted, to deliver the items in accordance with the terms and conditions contained in the bid documents, including the posting if the required performance security within ten (10) calendar days from receipt of the Notice of Award. Until a formal contract is prepared and signed, thus bid is binding on us.

\_\_\_\_\_  
Name of Company (in print)

\_\_\_\_\_  
Signature of Company Authorized Representative

\_\_\_\_\_  
Name and Designation

\_\_\_\_\_  
Date



**TECHNICAL BID FORM**

**PROCUREMENT OF MEDIUM MULTI-PURPOSE ASSAULT WEAPON (MMAW)  
WITH PRECISION GUIDED MUNITION (PGM) FOR THE PHILIPPINE ARMY**

**BID REF ORD PABAC2-025-24**

**TO THE BIDDER: Indicate “COMPLY” if Bidder’s Statement of Compliance meets the Technical Specifications (TS), Test Procedures and Acceptance (TAP) and other Project Requirements. DO NOT LEAVE ANY BLANK. A “YES” OR “NO” ENTRY WILL NOT BE ACCEPTED. FAILURE TO CONFORM WILL RESULT IN A RATING OF “FAILED”.**

<b>Line No.</b>	<b>Additional Requirements to be provided by the Bidder, If awarded the contract</b>	<b>Bidder’s Statement of Compliance</b>
6	<p><b>DELIVERY:</b></p> <p><b>a. Delivery Period: 450 calendar days</b> after Receipt of Notice to Proceed by the bidder, which date shall not be later than seven (7) calendar days from the issuance of NTP: should the bidder fail to comply, the delivery period shall commence.</p> <p><b>b. Delivery Place:</b> Ammunition Company, Armament and Ammunition Battalion, 1<sup>st</sup> Logistics Support Group, Army Support Command, Philippine Army, Camp Servillano Aquino, Tarlac City, Philippines</p> <p><b>c. Delivery must be done in the presence of Philippine Army authorized representatives.</b></p>	
<p style="text-align: center;"><b>BIDDER’S UNDERTAKING</b></p> <p>I/WE, the undersigned bidder, having examined the Bidding Documents including Bid Bulletins, as applicable, hereby OFFER to (supply/deliver/perform) the above-described items.</p> <p>I/WE undertake, if our bid is accepted, to deliver the items in accordance with the terms and conditions contained in the bid documents, including the posting if the required performance security within ten (10) calendar days from receipt of the Notice of Award.</p> <p>Until a formal contract is prepared and signed, thus bid is binding on us.</p>		

\_\_\_\_\_  
Name of Company (in print)

\_\_\_\_\_  
Signature of Company Authorized Representative

\_\_\_\_\_  
Name and Designation

\_\_\_\_\_  
Date

**TECHNICAL BID FORM**

**PROCUREMENT OF MEDIUM MULTI-PURPOSE ASSAULT WEAPON (MMAW) WITH PRECISION GUIDED MUNITION (PGM) FOR THE PHILIPPINE ARMY**

**BID REF ORD PABAC2-025-24**

**TO THE BIDDER:** Indicate “COMPLY” if Bidder’s Statement of Compliance meets the Technical Specifications (TS), Test Procedures and Acceptance (TAP) and other Project Requirements. DO NOT LEAVE ANY BLANK. A “YES” OR “NO” ENTRY WILL NOT BE ACCEPTED. FAILURE TO CONFORM WILL RESULT IN A RATING OF “FAILED”.

Line No.	Additional Requirements to be provided by the Bidder, If awarded the contract	Bidder’s Statement of Compliance
7	<p><i>Continuation:</i>  <b>DELIVERY:</b>  <b>d.</b> The bidder must inform the PAPC at least seven (7) calendar days prior to delivery in delivery place/site. Failure to give due notice shall be a ground for non-acceptance of delivery.  <b>e.</b> Deliveries made for “safekeeping” purposes is not ALLOWED.  <b>f.</b> Other than the delivery schedule stated above, NO PARTIAL DELIVERIES are allowed.  <b>g.</b> During delivery, the bidder shall be responsible in unloading the items from the container to the designated warehouse of the PA. All costs related to porter services, handling and other related expenses shall be borne by the bidder. In the absence of material handling equipment at the site, the bidder shall provide the necessary equipment such as but not limited to: forklifts, hand pallet truck, etc. at the expense of the bidder.</p>	
<p style="text-align: center;"><b>BIDDER’S UNDERTAKING</b></p> <p>I/WE, the undersigned bidder, having examined the Bidding Documents including Bid Bulletins, as applicable, hereby OFFER to (supply/deliver/perform) the above-described items. I/WE undertake, if our bid is accepted, to deliver the items in accordance with the terms and conditions contained in the bid documents, including the posting if the required performance security within ten (10) calendar days from receipt of the Notice of Award. Until a formal contract is prepared and signed, thus bid is binding on us.</p>		

\_\_\_\_\_  
Name of Company (in print)

\_\_\_\_\_  
Signature of Company Authorized Representative

\_\_\_\_\_  
Name and Designation

\_\_\_\_\_  
Date

**TECHNICAL BID FORM****PROCUREMENT OF MEDIUM MULTI-PURPOSE ASSAULT WEAPON (MMAW)  
WITH PRECISION GUIDED MUNITION (PGM) FOR THE PHILIPPINE ARMY****BID REF ORD PABAC2-025-24**

**TO THE BIDDER: Indicate “COMPLY” if Bidder’s Statement of Compliance meets the Technical Specifications (TS), Test Procedures and Acceptance (TAP) and other Project Requirements. DO NOT LEAVE ANY BLANK. A “YES” OR “NO” ENTRY WILL NOT BE ACCEPTED. FAILURE TO CONFORM WILL RESULT IN A RATING OF “FAILED”.**

Line No.	Additional Requirements to be provided by the Bidder, If awarded the contract	Bidder’s Statement of Compliance
8	<b>Issuance of End-User Certificate:</b> Pursuant to D4 CMILD-001-2017 dated Jan 26, 2017 issued by the Office of the Deputy Chief of Staff for Logistics, J4, the deadline for submission of End-user Certificate (EUC) requirements shall be within seven (7) Calendar Days upon receipt of Contract/Notice to Proceed (NTP). The letter request shall include as an attachment important document necessary for the issuance thereof, such as specific template/format required by the foreign government and not by the foreign bidder. Failure on the part of the bidder to submit said requirements within the specified period shall not be used and acknowledge as a valid excuse or justification to warrant the extension of the contract.	
9	Warranty Period: One (1) year after final acceptance which includes full replacement of defective items free of charge.	
10	During Pre-Delivery Inspection. Any defects noted during pre-delivery inspection shall be corrected prior to shipment of the goods subject for another test and inspection.	
11	During TIAC Inspection: a. For items delivered within the delivery period, the bidder shall be allowed to correct defects within 30 calendar days upon receipt of written Notice from the PAPC or within the remaining days of the delivery period, whichever comes later. (Note: This provision is not applicable to items delivered beyond the delivery period.) b. For items delivered after the lapse of the delivery period, the bidder shall be allowed to correct defects, subject to the imposition of liquidated damages.	
12	In case of rejection, the goods shall be secured and shall remain under the custody of the PA until re-exported (if imported) at the expense of the bidder, subject to the applicable laws in the Philippines.	
13	The period for repair or replacement for the defective goods or parts thereof in the warranty period shall be within Ninety (90) Calendar Days (maximum) upon receipt of the Notice of Defects.	
<p style="text-align: center;"><b>BIDDER’S UNDERTAKING</b></p> I/WE, the undersigned bidder, having examined the Bidding Documents including Bid Bulletins, as applicable, hereby OFFER to (supply/deliver/perform) the above-described items.  I/WE undertake, if our bid is accepted, to deliver the items in accordance with the terms and conditions contained in the bid documents, including the posting of the required performance security within ten (10) calendar days from receipt of the Notice of Award. Until a formal contract is prepared and signed, this bid is binding on us.		

\_\_\_\_\_  
Name of Company (in print)

\_\_\_\_\_  
Signature of Company Authorized Representative

\_\_\_\_\_  
Name and Designation

\_\_\_\_\_  
Date

**TECHNICAL BID FORM**

**PROCUREMENT OF MEDIUM MULTI-PURPOSE ASSAULT WEAPON (MMAW) WITH PRECISION GUIDED MUNITION (PGM) FOR THE PHILIPPINE ARMY**

**BID REF ORD PABAC2-025-24**

**TO THE BIDDER:** Indicate “COMPLY” if Bidder’s Statement of Compliance meets the Technical Specifications (TS), Test Procedures and Acceptance (TAP) and other Project Requirements. DO NOT LEAVE ANY BLANK. A “YES” OR “NO” ENTRY WILL NOT BE ACCEPTED. FAILURE TO CONFORM WILL RESULT IN A RATING OF “FAILED”.

Line No.	Additional Requirements to be provided by the Bidder, If awarded the contract	Bidder’s Statement of Compliance
<b>14</b>	<p><b>PRE-DELIVERY INSPECTION TEST:</b> All items shall be subjected to Pre-Delivery Inspection (PDI) by the Philippine Army.</p> <p><b>FOR FOREIGN BIDDER:</b> A. All Items shall be subjected to Pre-Delivery Inspection (PDI) and test by the Philippine Army representatives. The PDI shall be conducted no later than sixty (60) calendar days prior to the expiry of the required delivery period <b>at the foreign bidder’s facilities OR at</b> Research and Development Center (RDC), ASCOM, PA <b>OR</b> as the PA TIAC may direct. B. No extension of delivery period shall be allowed in case of failure or refusal of bidder to comply with said PDI period. C. In no case shall the bidder be relieved from responsibility relative to the delivery of the goods in the event that the PDI is delayed for any reason including issues related to travel documents (i.e., Visa, Travel authority). Appropriate penalties for the delay shall be imposed as applicable. D. The Inspection Team that will attend the Pre-delivery Inspection and Tests at the country of origin at bidder’s expenses shall have a maximum of five (5) members who have technical knowledge relevant to the item being procured. E. The bidder shall ensure that the inspection Team will be allowed to jointly participate in the conduct of the testing procedures at the option of the inspection team.</p>	
<p style="text-align: center;"><b>BIDDER’S UNDERTAKING</b></p> <p>I/WE, the undersigned bidder, having examined the Bidding Documents including Bid Bulletins, as applicable, hereby OFFER to (supply/deliver/perform) the above-described items.</p> <p>I/WE undertake, if our bid is accepted, to deliver the items in accordance with the terms and conditions contained in the bid documents, including the posting if the required performance security within ten (10) calendar days from receipt of the Notice of Award.</p> <p>Until a formal contract is prepared and signed, thus bid is binding on us.</p>		

\_\_\_\_\_  
Name of Company (in print)

\_\_\_\_\_  
Signature of Company Authorized Representative

\_\_\_\_\_  
Name and Designation

\_\_\_\_\_  
Date

**TECHNICAL BID FORM**

**PROCUREMENT OF MEDIUM MULTI-PURPOSE ASSAULT WEAPON (MMAW) WITH PRECISION GUIDED MUNITION (PGM) FOR THE PHILIPPINE ARMY**

**BID REF ORD PABAC2-025-24**

**TO THE BIDDER: Indicate “COMPLY” if Bidder’s Statement of Compliance meets the Technical Specifications (TS), Test Procedures and Acceptance (TAP) and other Project Requirements. DO NOT LEAVE ANY BLANK. A “YES” OR “NO” ENTRY WILL NOT BE ACCEPTED. FAILURE TO CONFORM WILL RESULT IN A RATING OF “FAILED”.**

Line No.	Additional Requirements to be provided by the Bidder, If awarded the contract	Bidder’s Statement of Compliance
15	<p><i>Continuation:</i> <b>PRE-DELIVERY INSPECTION TEST:</b></p> <p>F. Bidder shall shoulder all the costs and expense of travel (via/IATA member airlines in case of international travel) and accommodation and securing visas as necessary and travel insurance of all the Inspection Team Members. In this regard, bidder is required to ISSUE the required written invitations to the Inspection team through Philippine Army relative to the PDI at least seven (7) calendar days from receipt of NTP.</p> <p>G. Bidder shall conduct product/inspection and pre-departure briefing to orient the members of the Inspection team at least one (1) week prior to departure date. Bidder shall ensure that a full time/on-board interpreter is available for non-English speaking country of bidder/plant site. Travel documents including insurance must be submitted to the inspection team during the pre-departure briefing.</p> <p>H. Failure to provide such invitation per C above will result in delays in release of required travel orders for the inspection team which shall be the sole responsibility of the bidder and will subject the bidder to applicable sanctions including liquidated damages due to late delivery. Results of the Pre -Shipment Testing Procedures duly signed by Inspection Team in attendance to be submitted for payment purposes.</p> <p>However, final acceptance as to Physical count will be conducted in the Philippines. The PDI shall be conducted in accordance with the prescribed Test and Acceptance Procedures (<b>Annex 7- C</b>). Cost of samples to be used for testing shall be for the account of the bidder or supplier. The samples to be used during the test shall be over and above the quantity to be delivered.</p>	
<p style="text-align: center;"><b>BIDDER’S UNDERTAKING</b></p> <p>I/WE, the undersigned bidder, having examined the Bidding Documents including Bid Bulletins, as applicable, hereby OFFER to (supply/deliver/perform) the above-described items.</p> <p>I/WE undertake, if our bid is accepted, to deliver the items in accordance with the terms and conditions contained in the bid documents, including the posting if the required performance security within ten (10) calendar days from receipt of the Notice of Award.</p> <p>Until a formal contract is prepared and signed, thus bid is binding on us.</p>		

\_\_\_\_\_  
Name of Company (in print)

\_\_\_\_\_  
Signature of Company Authorized Representative

\_\_\_\_\_  
Name and Designation

\_\_\_\_\_  
Date

**TECHNICAL BID FORM****PROCUREMENT OF MEDIUM MULTI-PURPOSE ASSAULT WEAPON (MMAW)  
WITH PRECISION GUIDED MUNITION (PGM) FOR THE PHILIPPINE ARMY****BID REF ORD PABAC2-025-24**

**TO THE BIDDER:** Indicate “COMPLY” if Bidder’s Statement of Compliance meets the Technical Specifications (TS), Test Procedures and Acceptance (TAP) and other Project Requirements. DO NOT LEAVE ANY BLANK. A “YES” OR “NO” ENTRY WILL NOT BE ACCEPTED. FAILURE TO CONFORM WILL RESULT IN A RATING OF “FAILED”.

Line No.	Additional Requirements to be provided by the Bidder, If awarded the contract	Bidder’s Statement of Compliance
16	<p><i>Continuation:</i> <b>PRE-DELIVERY INSPECTION TEST:</b></p> <p><b>Note:</b> Alternative Pre-Delivery Inspection (PDI) may be conducted in accordance with the HPA Letter Directive Nr 12 with Subject: Alternative Procedures for PQI and PDI during COVID-19 Pandemic dated 11 August 2020. This directive states that the physical visit of the inspectors at the manufacturer’s site or place of business is no longer feasible due to the COVID-19 pandemic and the issued memorandum of the Department of National Defense. This directive prescribes that PDI Team shall conduct the alternative PDI through VTC and/or submission of Video recordings provided that certified tests result from the supplier or a third-party entity shall be required to ensure transparency and through the utilization of Philippine Defense Armed Forces Attaché (PhilDAFA).</p> <p><b><u>FOR LOCAL BIDDER:</u></b></p> <p><b>A.</b> Pre-delivery inspection of the items to be conducted by the designated PA TIAC who have technical knowledge relevant to the item being procured at Research and Development Center (RDC), ASCOM, PA; <b>OR</b> at the Local Bidder’s facilities; <b>OR</b> Government Arsenal Facilities; <b>OR</b> at an authorized third-party testing facility <b>OR</b> as the PA TIAC may direct.</p> <p><b>B.</b> All expenses relative to inspection shall be for the account of the bidder.</p> <p><b>C.</b> Acceptance Tests to be conducted as per prescribed Test and Acceptance Procedures (<b>Annex 4-C</b>). Cost of samples to be used for testing shall be for the account of the bidder or supplier. The samples to be used during the test shall be over and above the quantity to be delivered.</p>	
<p style="text-align: center;"><b>BIDDER’S UNDERTAKING</b></p> <p>I/WE, the undersigned bidder, having examined the Bidding Documents including Bid Bulletins, as applicable, hereby OFFER to (supply/deliver/perform) the above-described items.</p> <p>I/WE undertake, if our bid is accepted, to deliver the items in accordance with the terms and conditions contained in the bid documents, including the posting if the required performance security within ten (10) calendar days from receipt of the Notice of Award.</p> <p>Until a formal contract is prepared and signed, thus bid is binding on us.</p>		

\_\_\_\_\_  
Name of Company (in print)

\_\_\_\_\_  
Signature of Company Authorized Representative

\_\_\_\_\_  
Name and Designation

\_\_\_\_\_  
Date

Annex 4-B



**ARMY 2040: WORLD-CLASS. MULTI-MISSION READY. CROSS-DOMAIN CAPABLE.**  
 Technical Specifications for Medium Multipurpose Assault Weapon (MMAW) with Precision Guided Munition (PGM)  
 TS NR: ORDF11(MMAW(PGM)-00)11-23

HEADQUARTERS  
 PHILIPPINE ARMY  
 Fort Andres Bonifacio, Taguig City

TS NR: ORDF11(MMAW(PGM)-00)11-23

DEC 17 2023

**TECHNICAL SPECIFICATIONS FOR  
 Medium Multipurpose Assault Weapon (MMAW) with  
 Precision Guided Munition (PGM)**

<b>Description</b>	A man-portable medium close combat missile system that can be used during the day, night and all-weather conditions operated by an individual soldier or in crews of two or three to precisely hit armored targets, fortified structures and even low flying aircraft through top and direct attack
<b>PHYSICAL AND TECHNICAL CHARACTERISTICS</b>	
<b>1. Caliber:</b>	130mm (max)
<b>2. Overall Weight:</b>	Maximum <b>30kgs</b> including the following: <ul style="list-style-type: none"> <li>• Round Assembly (launch tube assembly, missile and battery coolant unit)</li> <li>• Command/Control/Observation Launch Unit</li> </ul>
<b>3. Round Assembly:</b>	Shall consist of the launch tube assembly, missile and battery coolant unit
<b>3.1. Launch Tube Assembly:</b>	
3.1.1. Capacity	Shall contain one (1) missile
3.1.2. Color	Olive Drab/Green (Predominantly a shade of green with a hint of brown)
3.1.3. Material and Finish	Manufacturer's Standard
3.1.4. Locking Device	Equipped with locking mechanism to automatically connect with the Launch Unit
3.1.5. End Covers	Equipped with two (2) end covers to protect the missile from damage during transport and handling Design and material shall be according to the manufacturer's standard
3.1.5. Additional Features	Equipped with the following minimum requirements: <ul style="list-style-type: none"> <li>a. Adjustable sling</li> <li>b. Carrying handle</li> <li>c. Shoulder Pad</li> </ul> Design and material shall be according to the manufacturer's standard
<b>3.2. Missile:</b>	
3.2.1. Length	900mm – 1,300mm
3.2.2. Weight	Manufacturer's Standard

**Conforme:**

\_\_\_\_\_  
 Bidder's Company Name

\_\_\_\_\_  
 Signature of Authorized Representative

\_\_\_\_\_  
 Designation

\_\_\_\_\_  
 Date

NOTISM. DUTY.

am



Annex 4-B

**ARMY 2040: WORLD-CLASS. MULTI-MISSION READY. CROSS-DOMAIN CAPABLE.**

Technical Specifications for Medium Multipurpose Assault Weapon (MMAW) with Precision Guided Munition (PGM)  
 TS NR: ORDF11(MMAW(PGM)-00)11-23



3.2.3. Seeker	Imaging Infrared (IIR) [min]
3.2.4. Guidance System	Infrared Homing
3.2.4.1. Type	Fire-and-Forget
3.2.5. Warhead	
3.2.5.1. Weight	Manufacturer's Standard
3.2.5.2. Type	Tandem-Charge or Dual-Charge, High Explosive Anti-Tank (HEAT)
3.2.5.3. Filler	Manufacturer's Standard
3.2.6. Fuze	
3.2.7. Actuator	Manufacturer's Standard
3.2.8. Propulsion	
3.2.9. Quantity of Missile	One (1) per Launch Tube
3.2.6. Shelf-Life	10 years (min)
<b>3.3. Battery Coolant Unit (BCU):</b>	
3.3.1. Size and Weight	Manufacturer's Standard
3.3.2. Gas	Nitrogen or Argon
3.3.3. Operating Time	At least 200 seconds per BCU
3.3.4. Quantity of BCU	At least two (2) BCU per missile
<b>4. Command/Control/Observation Launch Unit (LU):</b>	
4.1. Type	Detachable, Reusable and Battery-Operated
4.2. Capability and Function	Shall have the minimum capability and function: a. Serves as gunner's interface b. Provides electrical interface with the round assembly a. Control, fire/launch missile b. Provides day and night observation and/or surveillance c. Target detection, acquisition, aiming, designation and tracking d. Classification and recognition
4.3. Components	Shall consists of the following minimum requirements: a. Main Housing b. Launch Unit's electronics system c. Controls and Display d. Sight Assembly (Day and Night) e. Eyepiece f. Battery with Compartment g. Shock Absorbers h. Handgrips

**Conforme:**

\_\_\_\_\_

Bidder's Company Name

\_\_\_\_\_

Signature of Authorized Representative

\_\_\_\_\_

Designation

\_\_\_\_\_

Date

TRITISM. DUTY. *[Signature]*





Annex 4-B

**ARMY 2040: WORLD-CLASS. MULTI-MISSION READY. CROSS-DOMAIN CAPABLE.**

Technical Specifications for Medium Multipurpose Assault Weapon (MMAW) with Precision Guided Munition (PGM)  
TS NR. ORDF11(MMAW(PGM)-00)11-23



	Design and material shall be according to the manufacturer's standard
4.4. Size and Weight	Manufacturer's Standard
4.5. Firing Mechanism	Mechanical (Manual) and/or Electronic
4.6. Safety Mechanism	Equipped with safety function or any safety device that prevents both firing by accident and non-intentional arming
4.7. Battery for Launch Unit	
4.7.1. Size and Weight	Manufacturer's Standard
4.7.2. Type and Quantity	At least two (2) Non-Rechargeable Battery
4.8. Sight Assembly:	
4.8.1. Capability	Can be used during day, night and all-weather conditions
4.8.2. Fields of View	Equipped with Wide and Narrow Field of View
4.8.3. Magnification	Manufacturer's Standard
4.9. Quantity of Launch Unit	As indicated in the contract
<b>5. Launching/Mounting System:</b>	Shoulder, Tripod and Vehicle
<b>6. Accessories:</b>	
6.1. Carrying Case/Bag	Each Launch Unit shall be provided with a carrying case (hard plastic) or bag Design and material shall be according to the manufacturer's standard
6.2. Cleaning Kit	One (1) set per Launch Unit
6.3. Operator or User Manual	One (1) manual per Weapon
<b>6. Packaging:</b>	
6.1. Inner	Metal/Plastic/Fiberboard container containing the following: a. At least one (1) launch tube assembly containing one (1) missile b. At least two (2) Battery Coolant Unit (BCU)
6.2. Outer	Provided, Manufacturer's Standard
<b>7. Markings:</b>	
7.1. Launch Tube Assembly	a. Nomenclature b. Lot Number or Serial Number c. Weight d. Storage Temperature Requirement
7.2. Missile	Manufacturer's Standard Markings (as applicable)
7.3. Launch Unit	The letters "AFP" and the manufacturer's sequential number shall be engraved/marked on the visible part of the unit
7.4. Inner Packaging	a. "PH Government Property" b. "Philippine Army" c. Nomenclature

**Conforme:**

\_\_\_\_\_  
Bidder's Company Name

\_\_\_\_\_  
Signature of Authorized Representative

\_\_\_\_\_  
Designation

\_\_\_\_\_  
Date

RIOTISM. DUTY.  



Annex 4-B

**ARMY 2040: WORLD-CLASS. MULTI-MISSION READY. CROSS-DOMAIN CAPABLE.**

Technical Specifications for Medium Multipurpose Assault Weapon (MMAW) with Precision Guided Munition (PGM)  
 TS NR: ORDF11(MMAW(PGM)-00)11-23



7.5. Outer Packaging	d. Lot Numbers or Serial Numbers of the Launch Tube Assembly
	e. Contents
	f. Weight (Gross)
	g. Name of Manufacturer
	h. Country of Origin
	i. Hazard Classification Code
	j. Storage Temperature Requirement
	a. "PH Government Property"
	b. "Philippine Army"
	c. Nomenclature
	d. Quantity
	e. Weight (Gross & N.E.W.)
	f. Dimension (LxWxH)
	g. Name of Manufacturer
h. Country of Origin	
i. Hazard Classification Code	
j. Storage Temperature Requirement	

**PERFORMANCE CHARACTERISTICS**

8. Attack Mode	<b>Top Attack</b>	Capable to deliver Top Attack with a minimum effective engagement range of <b>150 meters</b>
	<b>Direct Attack</b>	Capable to deliver Direct Attack with a minimum effective engagement range of <b>65 meters</b>
9. Engagement Range		Capable to engage target at a range of at least <b>2,000 meters</b>
10. Speed		Manufacturer's Standard
11. Hit Probability		The hit probability shall be at least 90%
12. Penetration Capability		Capable to penetrate a Rolled Homogenous Armor (RHA) with a minimum thickness of <b>30in or 762mm</b>

**OTHER REQUIREMENTS**

13. Order Quantity	Round Assembly	As specified in the contract
	Launch Unit	
14. Tripod		
15. Additional Battery for the Launch Unit		
16. Carrying Bag that can accommodate atleast two (2) round assembly		
17. Integrated Logistics Support (ILS) and Training Package		

**Conforme:**

\_\_\_\_\_  
 Bidder's Company Name  
 \_\_\_\_\_  
 Signature of Authorized Representative  
 \_\_\_\_\_  
 Designation  
 \_\_\_\_\_  
 Date

**PROTISM. DUTY.** *[Signature]*  
*GM*




**ARMY 2040: WORLD-CLASS. MULTI-MISSION READY. CROSS-DOMAIN CAPABLE.**


Technical Specifications for Medium Multipurpose Assault Weapon (MMAW) with Precision Guided Munition (PGM)  
 TS NR: ORDF11(MMAW(PGM)-00)11-23



18. Maintenance Manual and Tools	
19. Technical Manual with illustrated parts list	
20. Cut-away Model	
21. Warranty	
22. Packing lists	Placed and attached in every outer packaging visible for verification
23. Technical Data Sheet	

**PREPARED BY:**

  
**GIOVANNI D PEÑAFLORIDA JR**  
 Major (OS) PA  
 Chief, Firepower Branch, OACOCS

  
**RIZA S DULAWAN**  
 Major (OS) PA  
 Acting Chief, PRB, OACOCS

**RECOMMENDED BY:**

  
**JESUS JEFFREY F GRAPA**  
 Colonel GSC (OS) PA  
 ACOCS

**APPROVED BY:**

  
**ROY M GALIDO**  
 Lieutenant General PA  
 Commanding General

**Conforme:**

\_\_\_\_\_  
 Bidder's Company Name

\_\_\_\_\_  
 Signature of Authorized Representative

\_\_\_\_\_  
 Designation

\_\_\_\_\_  
 Date

**RIOTISM. DUTY.**



# ***TEST AND ACCEPTANCE PROCEDURE (TAP)***

## ***MANUFACTURER'S STANDARD***

**Note:** The Test and Acceptance Procedures to include the Sampling Plan and Acceptance and Rejection Criteria for this item shall be in accordance with the standard of the Manufacturer. Must be in accordance NATO or equivalent standard.

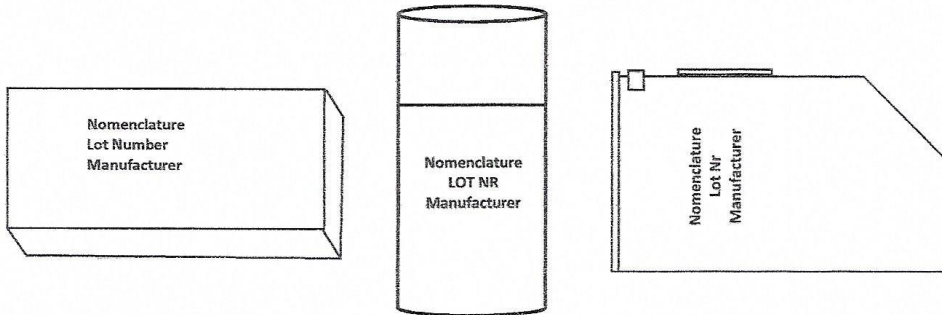
Annex 4-C

By 2028, a world-class Army that is a source of national pride.

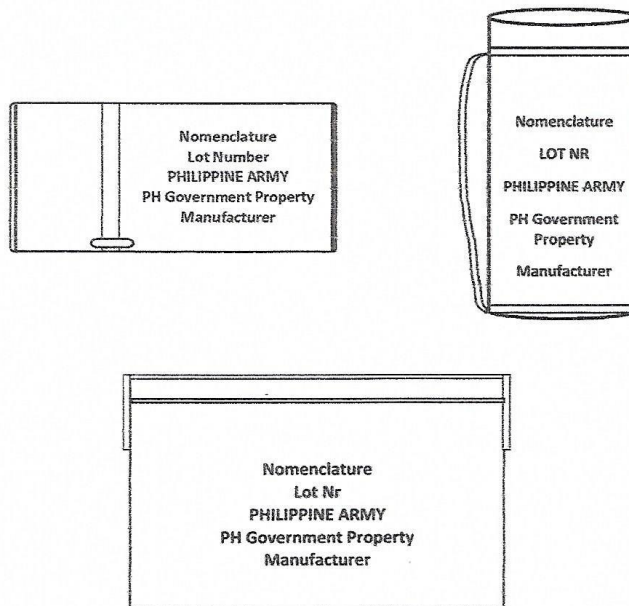
HEADQUARTERS  
PHILIPPINE ARMY  
OFFICE OF THE ARMY CHIEF ORDNANCE AND CHEMICAL SERVICE  
Fort Andres Bonifacio, Metro Manila

**SAMPLE DIAGRAM FOR MARKINGS ON PACKAGING OF  
AMMUNITION**

**INNER PACKAGING:** (Sample Illustration, Diagram Not in Scale)



**INTERMEDIATE PACKAGING:** (Sample Illustration, Diagram Not in Scale)



**Conforme:**

\_\_\_\_\_  
Bidder's Company Name

\_\_\_\_\_  
Signature of Authorized Representative

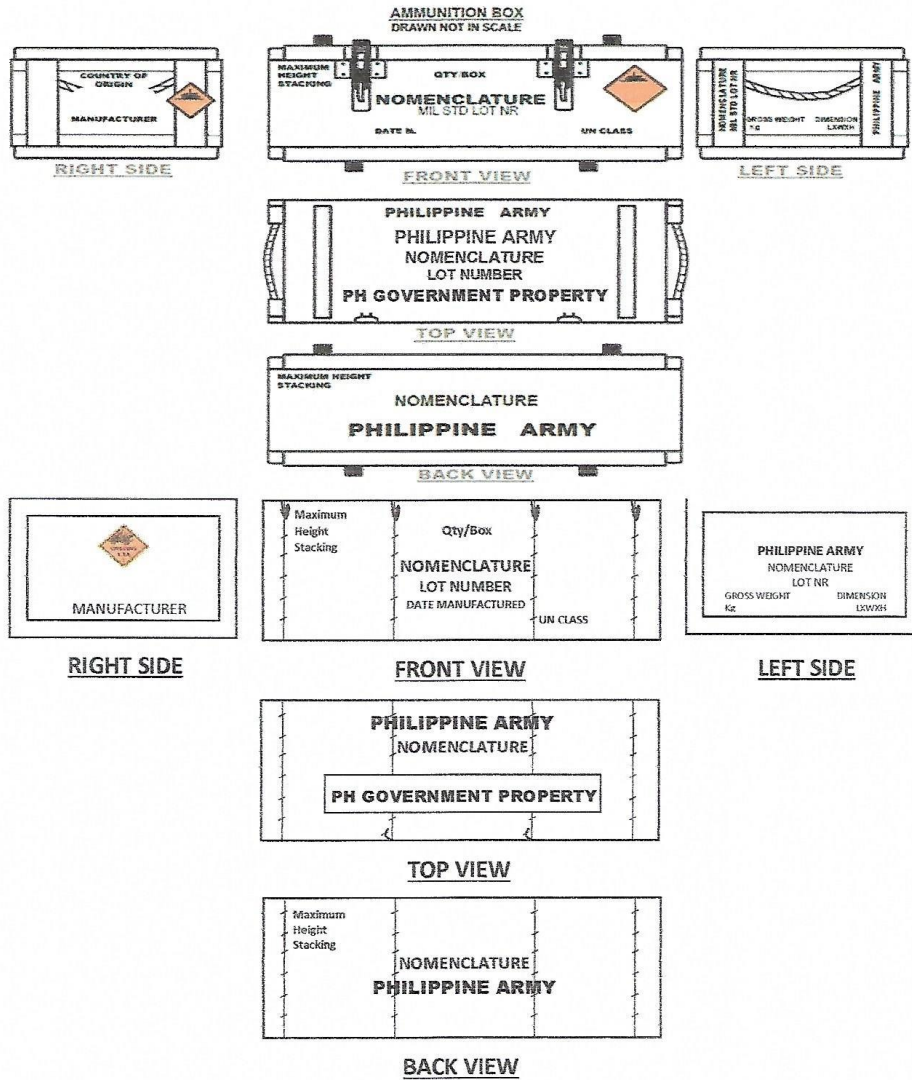
\_\_\_\_\_  
Designation

\_\_\_\_\_  
Date

Annex 4-C

By 2028, a world-class Army that is a source of national pride.

**OUTER PACKAGING:** (Sample Illustration, Diagram Not in Scale)



**Note:** The illustrated diagram is just an example purposely to serve as reference. Placement, font size, and font style are manufacturer's standard. Refer to Technical Specification for the minimum required markings.

PREPARED BY:

APPROVED BY:

*[Signature]*  
 DARREL P MARIANO  
 MAJ (OS) PA  
 Chief, PRB

*[Signature]*  
 FLORENTE P SISON  
 Colonel, MNSA PA  
 Chief

**Conforme:**

---

Bidder's Company Name

---

Signature of Authorized Representative

---

Designation

---

Date



Company Letterhead

**TECHNICAL DATA**

- \*Nomenclature of the Ammunition: \_\_\_\_\_
- \*Lot Number/s of the Ammunition: \_\_\_\_\_
- \*Month and Year of Manufacture \_\_\_\_\_
- \*Name of Manufacturer \_\_\_\_\_

1. **References** (If any):
2. **Technical Data:** (Fill-in the required data in the table including but not limited to the dimensions, weight, components, materials, color, markings and performance of the item. Additional rows may be added to supplement the data.)

<b>1. Weapons Application</b>	
<b>2. Caliber:</b>	
<b>3. Overall Weight:</b>	
<b>4. Round Assembly:</b>	
<b>4.1 Launch Tube Assembly</b>	
4.1.1. Capacity	
4.1.2. Color	
4.1.3. Material and Finish	
4.1.4. Locking Device	
4.1.5. End Covers	
4.1.6. Additional Features	
<b>4.2. Missile</b>	
4.2.1. Length	
4.2.2. Weight	
4.2.3. Seeker	
4.2.4. Guidance System	
4.2.4.1. Type	
4.2.5. Warhead	
4.2.5.1. Weight	
4.2.5.2. Type	
4.2.5.3. Filler	
4.2.6. Fuze	
4.2.7. Actuator	
4.2.8. Propulsion	
4.2.9. Quantity of Missile	
4.2.10. Shelf Life	
<b>4.3. Battery Coolant Unit (BCU)</b>	
4.3.1 Size and Weight	
4.3.2 Gas	
4.3.3 Operating Time	
4.3.4 Quantity of BCU	
<b>5. Command/ Control/ Observation/ Launch Unit (LU)</b>	
5.1. Type	
5.2. Capability and Function	
5.3. Components	
5.4. Size and Weight	
5.5. Firing Mechanism	
5.6. Safety Mechanism	
5.7. Battery for Launch Unit	
5.7.1. Size and Weight	
5.7.2. Type and Quantity	
5.8. Sight Assembly	
5.8.1. Capability	
5.8.2. Field of view	
5.8.3. Magnification	
<b>6. Launching/Mounting System</b>	
6.1. Accessories	
6.2. Cleaning Kit	
6.3. Operator or User Manual	
<b>PERFORMANCE CHARACTERISTICS</b>	
<b>7. Attack Mode</b>	
<b>8. Engagement Range</b>	
<b>9. Speed</b>	
<b>10. Hit Probability</b>	
<b>11. Penetration Capability</b>	

Notes: a. (\*) Required Information

b. This is a generic format. Provide only the applicable data and other necessary information not mentioned above.

c. Provide all data related to Performance of the ammunition.

b. **Description:** State Brief Description and other details of the item

c. **Functioning:** State the functioning and theory of operation of the item

**PREPARED BY:**

\_\_\_\_\_  
Signature over Printed Name

\_\_\_\_\_  
Position

\_\_\_\_\_  
Date

**Conforme:**

\_\_\_\_\_  
Bidder's Company Name

\_\_\_\_\_  
Signature of Authorized Representative

\_\_\_\_\_  
Designation

\_\_\_\_\_  
Date



**TECHNICAL BID FORM**

**PROCUREMENT OF MEDIUM MULTI-PURPOSE ASSUALT WEAPON (MMAW)  
WITH PRECISION GUIDED MISSILE (PGM) FOR THE PHILIPPINE ARMY**

**BID REF ORD PABAC2-025-24**

**BIDDER’S CERTIFICATION ON CONFORMANCE TO THE PROJECTS  
TECHNICAL SPECIFICATIONS, PACKAGING, MARKINGS, TEST AND  
ACCEPTANCE PROCEDURES AND SAMPLING PLAN**

I, \_\_\_\_\_, (Position / Designation) of (Name of Company – Bidder) hereby certify that I have read and understood each and every page of the Technical Specifications, Test and Acceptance Procedures and its Sampling Plan and AQL, Markings, and Packaging for the project, Procurement of \_\_\_\_\_ for Philippine Army under Bid Ref Nr \_\_\_\_\_ copies of which we have acknowledged to have received on \_\_\_\_\_.

I/WE understand that having issued this Certification, we conform to the requirements of the above-stated Project as detailed in the Technical Specifications and other technical documents and that, in the event that the Contract for the Project is awarded to us, we certify to complete and accomplish our obligations in accordance with, the term and conditions of the said project. This Certification is part of our Technical Bid for the above-mentioned project.

I/WE are executing this Certification to attest to the truth of the foregoing fact/s.

\_\_\_\_\_  
Name

\_\_\_\_\_  
Signature

\_\_\_\_\_  
Position in the Company

\_\_\_\_\_  
Date

<p><b><u>Conforme:</u></b></p> <p>_____ Bidder’s Company Name</p> <p>_____ Signature of Authorized Representative</p> <p>_____ Designation</p> <p>_____ Date</p>
--

**TECHNICAL BID FORM**

**PROCUREMENT OF MEDIUM MULTI-PURPOSE ASSUALT WEAPON (MMAW) WITH PRECISION GUIDED MISSILE (PGM) FOR THE PHILIPPINE ARMY**

**BID REF ORD PABAC2-025-24**

**SCHEDULE OF REQUIREMENTS**

The delivery schedule expressed as weeks/months stipulates hereafter a delivery date which is the date of delivery to the project site.

L/I	Description	Qty	Unit	Delivery Period	Delivery Place														
1	Missile	10	sets	Four Hundred Fifty (450) calendar days upon receipt of NTP by the bidder, which date shall not be later than seven (7) calendar days from the issuance of NTP; should the bidder fail to comply, the delivery period shall commence.	Ammunition Company, Armament and Ammunition Battalion, 1 <sup>st</sup> Logistics Support Group, Army Support Command, Philippine Army, Camp Servillano Aquino, Tarlac City														
	Launcher	5	each																
	Tripod	5	each																
	Additional Battery for the Launch Unit	5	each																
	Carrying Bag that can accommodate at least 2 rounds assembly	5	each																
	MMAW Cut-away Model	1	set																
	Technical Data Sheet (Placed and Attached in every outer packaging visible for verification)	1	each per Outer Packaging																
	Packing List (Placed and Attached in every outer packaging visible for verification)	1																	
	Integrated Logistics Support (ILS)																		
	a. Maintenance Manual and Tools	1	set																
	b. Test Equipment	1	set																
	c. Technical Manual with illustrated parts	5	each																
	d. Operators Training and Operators Trainor's Training (5 days min) – 15 pax	1	set	To be conducted 1 month after the date of delivery	Fort Ramon Magsaysay 3130 Palayan City, Nueva Ecija														
	<table border="1"> <thead> <tr> <th>Unit</th> <th>Nr of Pers</th> </tr> </thead> <tbody> <tr> <td>MC, TRADOC, PA</td> <td>2</td> </tr> <tr> <td>SFR(A) Training School</td> <td>2</td> </tr> <tr> <td>FC, TRADOC, PA</td> <td>2</td> </tr> <tr> <td>ASCOM, PA</td> <td>2</td> </tr> <tr> <td>Inf Divisions</td> <td>7</td> </tr> <tr> <td><b>TOTAL</b></td> <td><b>15</b></td> </tr> </tbody> </table>					Unit	Nr of Pers	MC, TRADOC, PA	2	SFR(A) Training School	2	FC, TRADOC, PA	2	ASCOM, PA	2	Inf Divisions	7	<b>TOTAL</b>	<b>15</b>
Unit	Nr of Pers																		
MC, TRADOC, PA	2																		
SFR(A) Training School	2																		
FC, TRADOC, PA	2																		
ASCOM, PA	2																		
Inf Divisions	7																		
<b>TOTAL</b>	<b>15</b>																		

e. Maintenance and Storage Training (5 days min) – 10pax		1	set		
<b>Unit</b>	<b>Nr of Pers</b>				
ASCOM, PA	8				
SFR(A) PA	2				
TOTAL	10				

\_\_\_\_\_  
Name of Company (in print)

\_\_\_\_\_  
Signature of Company Authorized Representative

\_\_\_\_\_  
Name and Designation

\_\_\_\_\_  
Date

## OMNIBUS SWORN STATEMENT

REPUBLIC OF THE PHILIPPINES        )  
CITY/MUNICIPALITY OF \_\_\_\_\_) S.S.

### AFFIDAVIT

I, [Name of Affiant], of legal age, [Civil Status], [Nationality], and residing at [Address of Affiant], after having been duly sworn in accordance with law, do hereby depose and state that:

1. **Select one, delete the other:**

*If a sole proprietorship:* I am the sole proprietor or authorized representative of [Name of Bidder] with office address at [address of Bidder];

*If a partnership, corporation, cooperative, or joint venture:* I am the duly authorized and designated representative of [Name of Bidder] with office address at [address of Bidder];

2. **Select one, delete the other:**

*If a sole proprietorship:* As the owner and sole proprietor, or authorized representative of [Name of Bidder], I have full power and authority to do, execute and perform any and all acts necessary to participate, submit the bid, and to sign and execute the ensuing contract for [Name of the Project] of the [Name of the Procuring Entity], as shown in the attached duly notarized Special Power of Attorney;

*If a partnership, corporation, cooperative, or joint venture:* I am granted full power and authority to do, execute and perform any and all acts necessary to participate, submit the bid, and to sign and execute the ensuing contract for [Name of the Project] of the [Name of the Procuring Entity], as shown in the attached [state title of attached document showing proof of authorization (e.g., duly notarized Secretary's Certificate, Board/Partnership Resolution, or Special Power of Attorney, whichever is applicable;)];

3. [Name of Bidder] is not "blacklisted" or barred from bidding by the Government of the Philippines or any of its agencies, offices, corporations, or Local Government Units, foreign government/foreign or international financing institution whose blacklisting rules have been recognized by the Government Procurement Policy Board, **by itself or by relation, membership, association, affiliation, or controlling interest with another blacklisted person or entity as defined and provided for in the Uniform Guidelines on Blacklisting;**

4. Each of the documents submitted in satisfaction of the bidding requirements is an authentic copy of the original, complete, and all statements and information provided therein are true and correct;

5. *[Name of Bidder]* is authorizing the Head of the Procuring Entity or its duly authorized representative(s) to verify all the documents submitted;

6. **Select one, delete the rest:**

*If a sole proprietorship:* The owner or sole proprietor is not related to the Head of the Procuring Entity, members of the Bids and Awards Committee (BAC), the Technical Working Group, and the BAC Secretariat, the head of the Project Management Office or the end-user unit, and the project consultants by consanguinity or affinity up to the third civil degree;

*If a partnership or cooperative:* None of the officers and members of *[Name of Bidder]* is related to the Head of the Procuring Entity, members of the Bids and Awards Committee (BAC), the Technical Working Group, and the BAC Secretariat, the head of the Project Management Office or the end-user unit, and the project consultants by consanguinity or affinity up to the third civil degree;

*If a corporation or joint venture:* None of the officers, directors, and controlling stockholders of *[Name of Bidder]* is related to the Head of the Procuring Entity, members of the Bids and Awards Committee (BAC), the Technical Working Group, and the BAC Secretariat, the head of the Project Management Office or the end-user unit, and the project consultants by consanguinity or affinity up to the third civil degree;

7. *[Name of Bidder]* complies with existing labor laws and standards; and

8. *[Name of Bidder]* is aware of and has undertaken the following responsibilities as a Bidder:

a) Carefully examine all of the Bidding Documents;

b) Acknowledge all conditions, local or otherwise, affecting the implementation of the Contract;

c) Made an estimate of the facilities available and needed for the contract to be bid, if any; and

d) Inquire or secure Supplemental/Bid Bulletin(s) issued for the *[Name of the Project]*.

9. *[Name of Bidder]* did not give or pay directly or indirectly, any commission, amount, fee, or any form of consideration, pecuniary or otherwise, to any person or official, personnel or representative of the government in relation to any procurement project or activity.

10. In case advance payment was made or given, failure to perform or deliver any of the obligations and undertakings in the contract shall be sufficient grounds to constitute criminal liability for Swindling (Estafa) or the commission of fraud with unfaithfulness or abuse of confidence through misappropriating or converting any payment received by a person or entity under an obligation involving the duty to deliver certain goods or services, to the prejudice of the public and the

government of the Philippines pursuant to Article 315 of Act No. 3815 s. 1930, as amended, or the Revised Penal Code.

IN WITNESS WHEREOF, I have hereunto set my hand this \_\_\_ day of \_\_\_, 20\_\_\_ at \_\_\_\_\_, Philippines.

\_\_\_\_\_  
Bidder's Representative/Authorized Signatory

**SUBSCRIBED AND SWORN TO BEFORE ME**, in \_\_\_\_\_, on \_\_\_\_\_, personally appearing to and personally known to me to be the same person who executed the foregoing instrument. Affiant exhibited to me his/her identification card, with I.D. No. \_\_\_\_\_, issued at \_\_\_\_\_ and valid until \_\_\_\_\_.

Doc. No.: \_\_\_\_\_;  
Page No.: \_\_\_\_\_;  
Book No.: \_\_\_\_\_;  
Series of 2023.

(Bidder's Company Letterhead)

## **WARRANTY UNDERTAKING**

**PROCUREMENT OF MEDIUM MULTI-PURPOSE ASSAULT WEAPON (MMAW)  
WITH PRECISION GUIDED MUNITION(PGM) FOR THE PHILIPPINE ARMY**

**BID REF ORD PABAC2-025-24**

I/We, (Name) \_\_\_\_\_, (Title/Capacity) \_\_\_\_\_, the duly authorized representative of (Company/Bidder) \_\_\_\_\_, hereby commits that should we be awarded the contract, we will issue a Warranty Certificate in favor of the Philippine Army (PA) valid for at least one (1) year from date of final acceptance.

This Undertaking shall form part of the Technical Requirements for the aforesaid procurement project

\_\_\_\_\_  
Signature of Company Representative

\_\_\_\_\_  
Name & Designation

\_\_\_\_\_  
Date

**Bidder’s Company Letterhead**

**PROCUREMENT OF MEDIUM MULTI-PURPOSE ASSAULT WEAPON (MMAW)  
WITH PRECISION GUIDED MUNITION(PGM)FOR THE PHILIPPINE ARMY**

**BID REF ORD PABAC2-025-24**

**CERTIFICATE OF NET FINANCIAL CONTRACTING CAPACITY  
(PLS SHOW FIGURES AT HOW YOU ARRIVED AT THE NFCC)**

This is to certify that our Net Financial Contracting Capacity (NFCC) is **Philippine Pesos** \_\_\_\_\_ (**PhP** \_\_\_\_\_) which is at least equal to the total ceiling price we are bidding. The amount is computed as follows;

CA	=	Current Assets	PhP
Less:			-
CL	=	Current Liabilities	_____
		<b>Sub-total 1</b>	PhP
			X 15
		<b>Sub-total 2</b>	PhP
Less:			-
C	=	Value of all outstanding or uncompleted portions of the projects under on-going contracts, including awarded contracts yet to be started coinciding with the contract for this project.	PhP
<b>NFCC</b>			<b>PhP</b>

Issued this \_\_\_\_\_ day of \_\_\_\_\_, 20\_\_\_\_.

**CERTIFIED CORRECT:**

\_\_\_\_\_  
Name and Signature of Authorized Representative

\_\_\_\_\_  
Position

\_\_\_\_\_  
Date



**Annex 10-A**

**PROTOCOL/UNDERTAKING OF AGREEMENT TO ENTER INTO JOINT VENTURE**

This **PROTOCOL/UNDERTAKING OF AGREEMENT TO ENTER INTO JOINT VENTURE** executed by:  
 \_\_\_\_\_, A sole proprietorship/corporation duly organized and existing under and by virtue of the laws of the Philippines, with offices located at \_\_\_\_\_, represented herein by its \_\_\_\_\_, hereinafter referred to as \_\_\_\_\_.,

-and-

\_\_\_\_\_ A sole proprietorship/corporation duly organized and existing under and by virtue of the laws of the Philippines, with offices located at \_\_\_\_\_, represented herein by its \_\_\_\_\_, hereinafter referred to as \_\_\_\_\_.,

For submission to the **Philippine Army Bids and Awards Committee (PABAC)**, pursuant to Section 23.1 (b) of the Revised Implementing Rules and Regulations (IRR) of Republic Act (RA) No 9184.

**WITNESSETH That:**

WHEREAS, the parties desire to participate as a joint venture in the public bidding that will be conducted by the PABAC pursuant to Republic Act (RA) No 9184 and its Revised Implementing Rules and Regulations (IRR) with the following particulars:

Bid Reference No.	
Name/Title of Procurement Project	
Approved Budget for the Contract	

NOW THETREFORE, in consideration of the foregoing, the Parties undertake to enter into a JOINT VENTURE and sign a Joint Venture Agreement relative to their joint cooperation for this bid project, in the event that their bid is successful, furnishing the PABAC a duly signed and notarized copy thereof within ten (10) calendar days from receipt of Notice from the BAC that our bid has the lowest calculated responsive bid or highest rated responsive bid (as the case may be).

For purposes of this bid project, and unless modified by the terms of the Joint Venture Agreement, the following party shall be the authorized representative of the JV:

**JV Partner (Name of Company)**

**Authorized Rep of the JV Partner: (Per attached Secretary's Certificate)**

\_\_\_\_\_  
**Name**

\_\_\_\_\_  
**Designation**

That furthermore, the parties agree to be bound jointly and severally under the said Joint Venture Agreement;

THAT Finally, failure on our part to enter into the Joint Venture and/or sign the Joint Venture Agreement for any reason after the Notice of Award has been issued by shall be a ground for non-issuance by PABAC of the Notice to Proceed, forfeiture of our bid security and such other administrative and/or civil liabilities as may be imposed by PABAC under the provisions of Republic Act (RA) No 9184 and its Revised Implementing Rules and Regulations (IRR) , without any liability on the part of PABAC.

This undertaking shall form an integral part of our Eligibility documents for the above-cited project.

IN WITNESS WHEREOF, the parties have signed this Protocol/Undertaking on the date first above-written.

[JURAT]

SUBSCRIBED AND SWORN TO BEFORE ME this \_\_\_\_\_ day of \_\_\_\_\_ at \_\_\_\_\_, Philippines. Affiant exhibited to me his/her competent Evidence of identity (as defined by the 2004 Rules on Notarial Practice \_\_\_\_\_ issued \_\_\_\_\_ at \_\_\_\_\_, Philippines.

Doc No: \_\_\_\_\_  
 Page No: \_\_\_\_\_  
 Book No: \_\_\_\_\_  
 Series of: \_\_\_\_\_

NOTARY PUBLIC

## Annex 10-B

**Bidder's Company Letterhead****PROCUREMENT OF MEDIUM MULTI-PURPOSE ASSAULT WEAPON (MMAW)  
WITH PRECISION GUIDED MUNITION(PGM) FOR THE PHILIPPINE ARMY****BID REF ORD PABAC2-025-24****PABAC Chairperson**

Office of the PA Bids and Awards Committee  
Fort Andres Bonifacio, Metro Manila

Subject: **Statement of Inapplicability of Joint Venture Agreement**

Dear PABAC Chairperson,

This is to inform you that ***[insert name of bidder]*** is not joining as a Joint Venture for this project, thus, the Joint Venture Agreement is not applicable.

Thank you and more power.

Truly Yours,

Name and Signature of Authorized Representative

**CERTIFIED CORRECT:**

\_\_\_\_\_  
Name and Signature of Authorized Representative

\_\_\_\_\_  
Position

\_\_\_\_\_  
Date

## Annex 11-A

## (Bidder's Company Letterhead)

**PROCUREMENT OF MEDIUM MULTI-PURPOSE ASSAULT WEAPON (MMAW)  
WITH PRECISION GUIDED MUNITION (PGM) FOR THE PHILIPPINE ARMY****BID REF ORD PABAC2-025-24****BID FORM**

Date : \_\_\_\_\_

Project Identification No. :  
\_\_\_\_\_To: [*name and address of Procuring Entity*]

Having examined the Philippine Bidding Documents (PBDs) including the Supplemental or Bid Bulletin Numbers [*insert numbers*], the receipt of which is hereby duly acknowledged, we, the undersigned, offer to [*supply/deliver/perform*] [*description of the Goods*] in conformity with the said PBDs for the sum of [total Bid amount in words and figures] or the total calculated bid price, as evaluated and corrected for computational errors, and other bid modifications in accordance with the Price Schedules attached herewith and made part of this Bid. The total bid price includes the cost of all taxes, such as, but not limited to: [*specify the applicable taxes, e.g. (i) value added tax (VAT), (ii) income tax, (iii) local taxes, and (iv) other fiscal levies and duties*], which are itemized herein or in the Price Schedules,

If our Bid is accepted, we undertake:

- a. to deliver the goods in accordance with the delivery schedule specified in the Schedule of Requirements of the Philippine Bidding Documents (PBDs);
- b. to provide a performance security in the form, amounts, and within the times prescribed in the PBDs;
- c. to abide by the Bid Validity Period specified in the PBDs and it shall remain binding upon us at any time before the expiration of that period.

Until a formal Contract is prepared and executed, this Bid, together with your written acceptance thereof and your Notice of Award, shall be binding upon us.

We understand that you are not bound to accept the Lowest Calculated Bid or any Bid you may receive.

We certify/confirm that we comply with the eligibility requirements pursuant to the PBDs.

The undersigned is authorized to submit the bid on behalf of [*name of the bidder*] as evidenced by the attached [*state the written authority*].

We acknowledge that failure to sign each and every page of this Bid Form, including the attached Schedule of Prices, shall be a ground for the rejection of our bid.

Name: \_\_\_\_\_

Legal capacity: \_\_\_\_\_

Signature: \_\_\_\_\_

Duly authorized to sign the Bid for and behalf of: \_\_\_\_\_

Date: \_\_\_\_\_

## Annex 11-B

(Bidder's Company Letterhead)

**PROCUREMENT OF MEDIUM MULTI-PURPOSE ASSAULT WEAPON (MMAW)  
WITH PRECISION GUIDED MUNITION(PGM) FOR THE PHILIPPINE ARMY****BID REF ORD PABAC2-025-24****FINANCIAL BID FORM**

Description	Qty	ABC Price		Bidder's Proposal	
		U/P	Total Price	U/P	Total Price
<b>TOTAL BID PRICE</b>					
<b>Total Bid Price (Amount in Words):</b>					
<b>BIDDER'S UNDERTAKING</b>					
I/We, the undersigned bidder, having examined the Bidding Documents including Bid Bulletins, as applicable, hereby OFFER to (supply/deliver/perform) the above-described items. I/We undertake, if our bid is accepted, to deliver the items in accordance with the terms and conditions contained in the bid documents, including the posting of the required performance security within ten (10) calendar days from receipt of Notice of Award. Until a formal contract/order confirmation is prepared and signed, this Bid is binding on us.					

Note: If the particular column is not applicable indicate **N/A**.\_\_\_\_\_  
Name of Company (in print)\_\_\_\_\_  
Signature of Company Representative\_\_\_\_\_  
Name & Designation (in print)\_\_\_\_\_  
Date

(Bidder’s Company Letterhead)

**PROCUREMENT OF MEDIUM MULTI-PURPOSE ASSAULT WEAPON (MMAW)  
WITH PRECISION GUIDED MUNITION(PGM)FOR THE PHILIPPINE ARMY**

**BID REF ORD PABAC2-025-24**

**For Goods Offered from Abroad**

Name of Bidder \_\_\_\_\_, Invitation to Bid<sup>2</sup> Number \_\_\_\_\_, Page \_\_\_\_\_ of \_\_\_\_.

1	2	3	4	5	6	7	8	9
Item	Description	Country of origin	Qty	Unit price CIF port of entry (specify port) or CIP named place (specify border point or place of destination)	Total CIF or CIP price per item (col. 4 x 5)	Unit Price Delivered at Place (DAP)	Unit price Delivered Duty Paid (DDP)	Total Price -(if DAP col 4X7) -(If DDP col 4X8)

Note: If the particular column is not applicable indicate **dash (-)** or **zero (0)**, as applicable.

\_\_\_\_\_  
[signature]

\_\_\_\_\_  
[in the capacity of]

Duly authorized to sign Bid for and on behalf of \_\_\_\_\_

<sup>2</sup> If ADB, JICA and WB funded projects, use IFB.

**(Bidder’s Company Letterhead)**

**PROCUREMENT OF MEDIUM MULTI-PURPOSE ASSAULT WEAPON (MMAW)  
WITH PRECISION GUIDED MUNITION(PGM) FOR THE PHILIPPINE ARMY**

**BID REF ORD PABAC2-025-24**

**For Goods Offered from Within the Philippines**

Name of Bidder \_\_\_\_\_ . Invitation to Bid<sup>3</sup> Number \_\_\_\_ . Page  
\_\_\_\_\_ of \_\_\_\_ .

1	2	3	4	5	6	7	8	9	10
Item	Description	Country of origin	Quantity	Unit price EXW per item	Transportation and Insurance and all other costs incidental to delivery, per item	Sales and other taxes payable if Contract is awarded, per item	Cost of Incidental Services, if applicable, per item	Total Price, per unit (col 5+6+7+8)	Total Price delivered Final Destination (col 9) x (col 4)

Note: If the particular column is not applicable indicate **dash (-)** or **zero (0)**, as applicable.

\_\_\_\_\_  
*[signature]*

\_\_\_\_\_  
*[in the capacity of]*

Duly authorized to sign Bid for and on behalf of \_\_\_\_\_

